

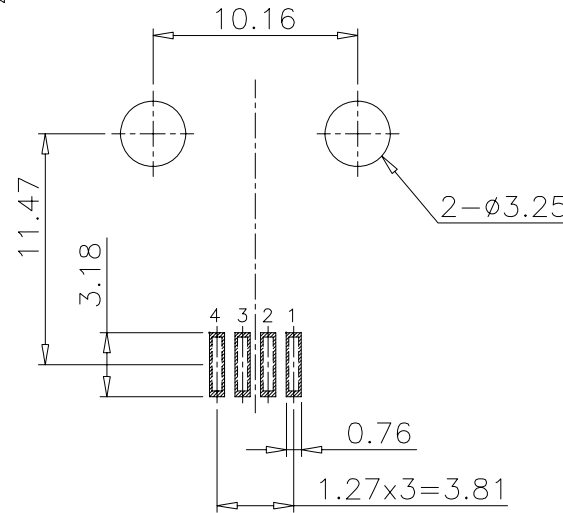
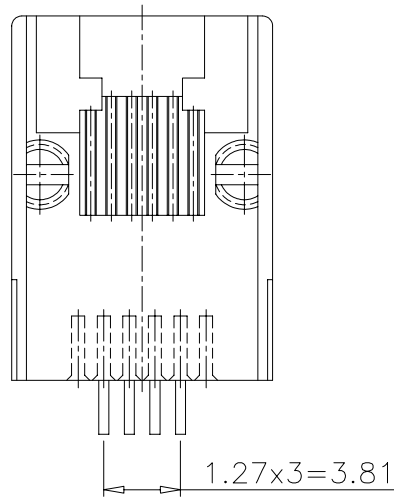
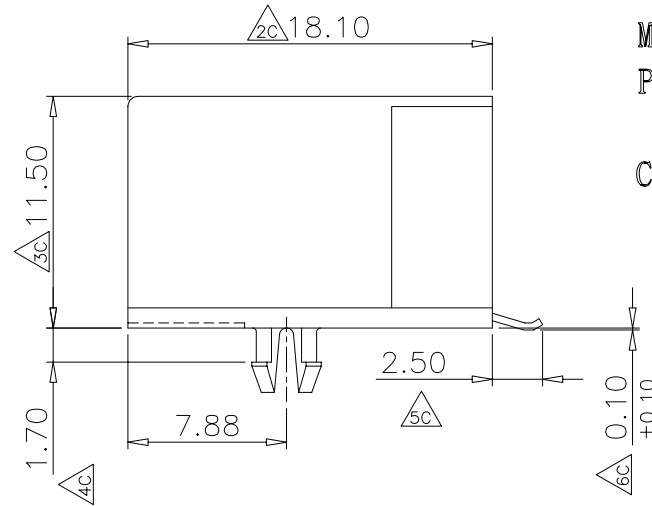
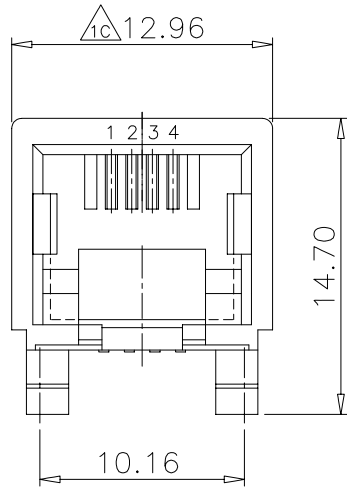
※凡標註 △ 記號者為品管管制尺寸。

MATERIALS:

PLASTIC HOUSING: HIGH TEMP. THERMOPLASTIC
FLAMMABILITY RATING UL 94V-0.

CONTACTS: PHOSPHOR BRONZE

PLATING: GOLD PLATING OVER NICKEL IN CONTACT.
TIN PLATING OVER NICKEL IN SOLDER AREA.



PCB LAYOUT/TOP VIEW

RoHS Compliant

TOLERANCES ARE

MORETHANALL
PCB CONNECTORS
Cable ASSEMBLIES

DRAWING BY CY

X.±

CHECKED BY GENIUS

.X±

UNIT / mm

SCALE 1:1

.XX±

DATE

.XXX±

ANG±

煜倫股份有限公司

www.morethanall.com

SIZE A4

PJECTION

照片框

ORDER INFORMATION

MJW11-KX06P-0604-LF

SERIES

POST
06u" GOLD
NON EAR
BLACK

6P4C LEADFREE

DESCRIPTION: