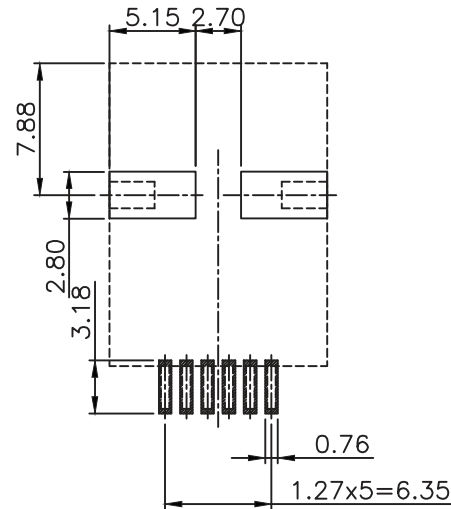
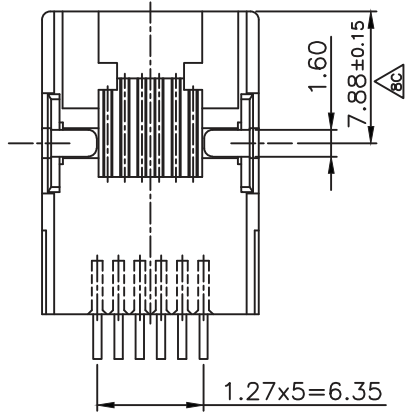


MATERIALS:
 PLASTIC HOUSING: HIGH TEMP. THERMOPLASTIC
 FLAMMABILITY RATING UL 94V-0.
 CONTACTS: PHOSPHOR BRONZE
 PLATING: GOLD PLATING OVER NICKEL IN CONTACT.
 TIN PLATING OVER NICKEL IN SOLDER AREA.
 SOLDER PADER: BRASS PLATING NICKEL ALLOY.

Electrical:
 1.Voltage Rating:125 Vac Rms.
 2.Current Rating:1.5 Amp.
 3.Contact Resistance:40 Milliohms Max.
 4.Insulation Resistance:1000 Megohms Min @500 Vdc.
 5.Dielectric Strength:1000 Vac Rms 60Hz, 1Min.

Mechanical:
 1.Operating:750 Cycles Min.

Environmental:
 1.Storage:-40°C To +85°C.
 2.Operation:-20°C To +75°C.
 3.IR Reflow Soldering Temperature:255°C To 265°C.
 Mates With Modular Plug Conforming To FCC Part 68, Subpart F.



PCB LAYOUT/TOP VIEW

RoHS Compliant

TOLERANCES ARE

MORETHANALL
 PCB CONNECTORS
 Cable ASSEMBLIES

DRAWING BY	CY	X. ± 0.50
CHECKED BY	GENIUS	.X ± 0.38
UNIT / mm	SCALE 1 : 1	.XX ± 0.25
DATE		.XXX ± 0.10
		ANG ± 3°

照片框

ORDER INFORMATION

MJW11-KX06NR-0606-LF
 SERIES REEL LEADFREE
 6P6C
 INNER EAR
 06u" GOLD
 NON POST
 BLACK

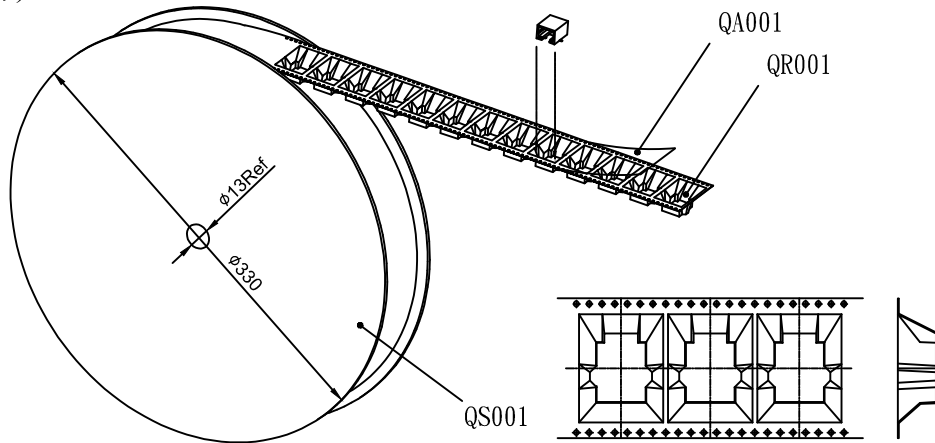
煜倫股份有限公司

www.morethanall.com

SIZE A4 PPROJECTION

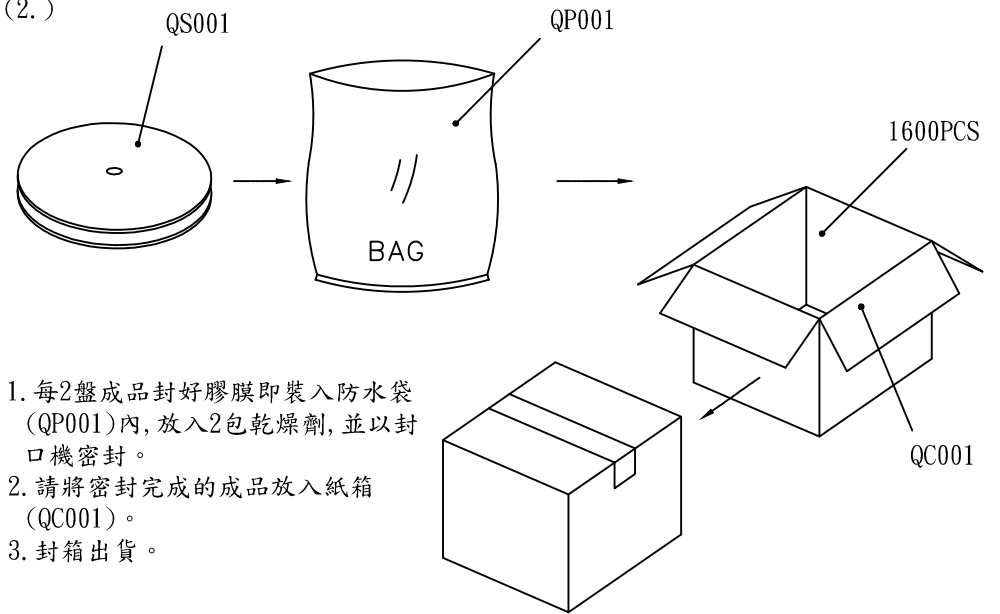
DESCRIPTION: RJ11 6P6C SMT JACK 加L型鐵片

(1.)



1. 請將組立完成之成品依圖面標示方向順序放入 QR001 內，前空15格，後空15格，封上 QA001，每盤裝200 PCS。(請注意捲帶方向)

(2.)



1. 每2盤成品封好膠膜即裝入防水袋 (QP001)內，放入2包乾燥劑，並以封口機密封。
2. 請將密封完成的成品放入紙箱 (QC001)。
3. 封箱出貨。

RoHS Compliant

TOLERANCES ARE

MORETHANALL
PCB CONNECTORS
Cable ASSEMBLIES

煜倫股份有限公司

www.morethanall.com

DRAWING BY CY

CHECKED BY GENIUS

UNIT / mm SCALE 1 : 1

DATE

SIZE A4

X. ± 0.50

.X ± 0.38

.XX ± 0.25

.XXX ± 0.10

ANG $\pm 3^\circ$

PJECTION

照片框

ORDER INFORMATION

MJW11-KX06NR-0606-LF

SERIES REEL 6P6C LEADFREE
INNER EAR
BLACK 06u" GOLD
NON POST

DESCRIPTION:

6P & 8P 無塑腳 無鐵殼 底有 L型銅片 TAPE&REEL 包裝作業規範