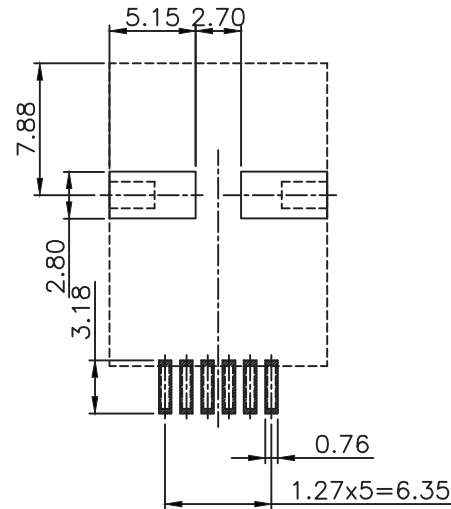
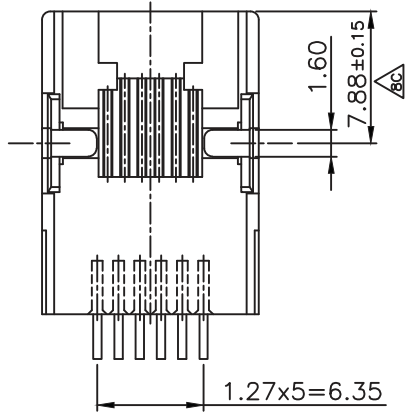


MATERIALS:
 PLASTIC HOUSING: HIGH TEMP. THERMOPLASTIC
 FLAMMABILITY RATING UL 94V-0.
 CONTACTS: PHOSPHOR BRONZE
 PLATING: GOLD PLATING OVER NICKEL IN CONTACT.
 TIN PLATING OVER NICKEL IN SOLDER AREA.
 SOLDER PADER: BRASS PLATING NICKEL ALLOY.

Electrical:
 1.Voltage Rating:125 Vac Rms.
 2.Current Rating:1.5 Amp.
 3.Contact Resistance:40 Milliohms Max.
 4.Insulation Resistance:1000 Megohms Min @500 Vdc.
 5.Dielectric Strength:1000 Vac Rms 60Hz, 1Min.

Mechanical:
 1.Operating:750 Cycles Min.
Environmental:
 1.Storage:-40°C To +85°C.
 2.Operation:-20°C To +75°C.
 3.IR Reflow Soldering Temperature:255°C To 265°C.
 Mates With Modular Plug Conforming To FCC Part 68, Subpart F.



PCB LAYOUT/TOP VIEW

RoHS Compliant

TOLERANCES ARE

MORETHANALL
 PCB CONNECTORS
 Cable ASSEMBLIES

DRAWING BY CY		X. ± 0.50
CHECKED BY GENIUS		.X ± 0.38
UNIT / mm	SCALE 1 : 1	.XXX ± 0.25
DATE		.XXX ± 0.10
		ANG ± 3°

照片框

ORDER INFORMATION

MJW11-KX06N-0606-LF
 SERIES | | | | | | LEADFREE
 | | | | | | 6P6C
 | | | | | | INNER EAR
 | | | | | | 06u" GOLD
 | | | | | | NON POST
 | | | | | | BLACK

煜倫股份有限公司

www.morethanall.com

SIZE A4 PPROJECTION

DESCRIPTION: RJ11 6P6C SMT JACK 加L型鐵片