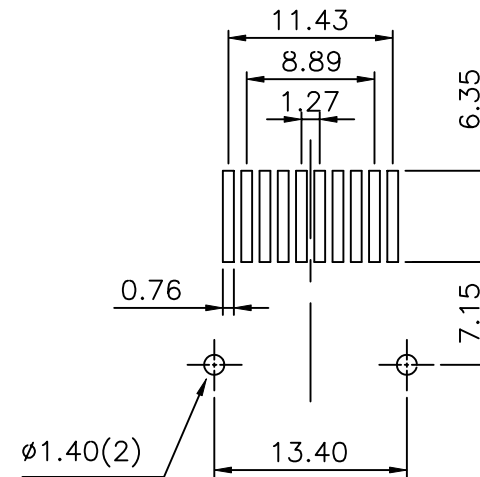


MATERIAL:

- HOUSING—DSM STANYL TE250F6 (NYLON-46)
HEAT DEFLECTION TEMP.290°
BLACK COLOR, UL94V-0
- CONTACTS—0.35mm THICK PHOS-BRONZE
PLATED WITH HARD GOLD AND
TIN/LEAD IN SOLDER AREA.
- HOLD DOWN—0.30mm THICK COPPER ALLOY,
PLATED WITH TIN/LEAD.

CAVITY CONFIRMS TO FCC RULES AND REGULATIONS
PART 68,SUBPART F.



PCB LAYOUT

Ref.

RoHS Compliant

TOLERANCES ARE

MORETHANALL
PCB CONNECTORS
Cable ASSEMBLIES

DRAWING BY CY

X. ±

CHECKED BY GENIUS

.X ±

UNIT / mm

SCALE 1 : 1

.XX ±

DATE

.XXX ±

ANG ±

照片框

ORDER INFORMATION

MJW11-KX06M-1010-LF

SERIES

LEADFREE

10P10C

METAL FOOT

06u" GOLD

NON EARS

BLACK

煜倫股份有限公司

www.morethanall.com

SIZE A4

PJECTION

DESCRIPTION: 10POSITION, SMT TYPE SIDE ENTRY PCB JACK