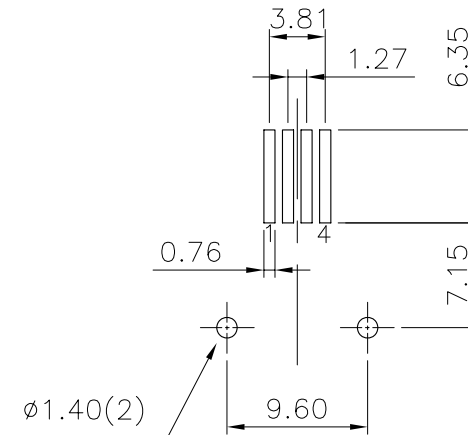


MATERIAL:

- HOUSING—DSM STANYL TE250F6 (NYLON-46)
HEAT DEFLECTION TEMP.290°
BLACK COLOR, UL94-V0
- CONTACTS—0.35mm THICK PHOS-BRONZE
PLATED WITH HARD GOLD AND
GOLD FLASH IN SOLDER AREA.
- HOLD DOWN—0.30mm THICK COPPER ALLOY,
PLATED WITH TIN.

CAVITY CONFIRMS TO FCC RULES AND REGULATIONS
PART 68,SUBPART F.



PCB LAYOUT

Ref.

RoHS Compliant

TOLERANCES ARE

MORETHANALL
PCB CONNECTORS
Cable ASSEMBLIES

DRAWING BY CY

X. ±

CHECKED BY GENIUS

.X ± 0.20

UNIT / mm

SCALE 1 : 1

.XX ± 0.10

DATE

.XXX ±

ANG ±

照片框

ORDER INFORMATION

MJW11-KX06M-0404-LF

SERIES

4P4C LEADFREE

METAL FOOT

06u" GOLD

NON EARS

BLACK

煜倫股份有限公司

www.morethanall.com

SIZE A4

P PROJECTION

DESCRIPTION: 4POSITION, SMT TYPE SIDE ENTRY PCB JACK