

MATERIALS:

PLASTIC HOUSING: HIGH TEMP THERMOPLASTIC
 FLAMMABILITY RATING UL 94V-0.
 CONTACTS: PHOSPHOR BRONZE
 PLATING: GOLD PLATING OVER NICKEL IN CONTACT.
 TIN PLATING OVER NICKEL IN SOLDER AREA.
 SOLDER PAD: BRASS WITH TIN PLATING OVER NICKEL.
 SHIELDED: BRASS WITH NICKEL PLATED

Electrical:

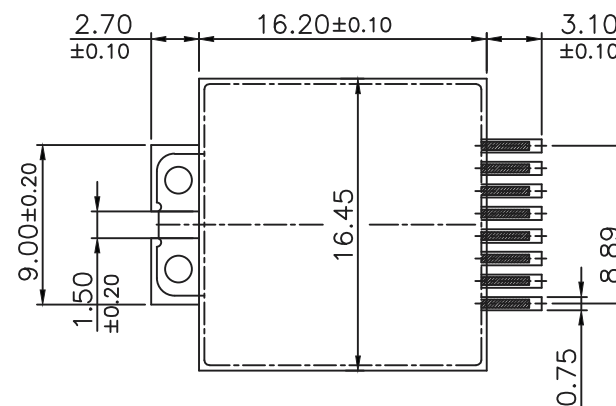
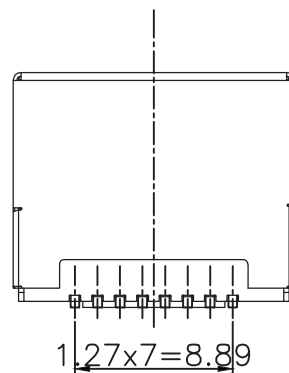
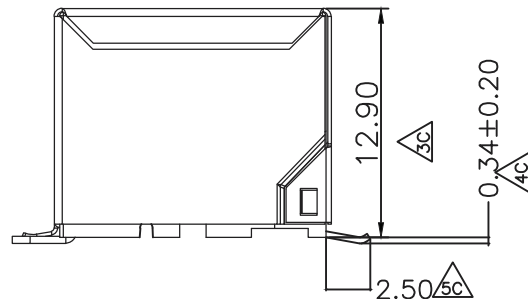
- 1.Voltage Rating:125 Vac Rms.
- 2.Current Rating:1.5 Amp.
- 3.Contact Resistance:40 Milliohms Max.
- 4.Insulation Resistance:1000 Megohms Min @500 Vdc.
- 5.Dielectric Strength:1000 Vac Rms 60Hz, 1Min.

Mechanical:

- 1.Operating:750 Cycles Min.

Environmental:

- 1.Storage:-40°C To +85°C.
 - 2.Operation:-20°C To +75°C.
 - 3.IR Reflow Soldering Temperature:255°C To 265°C(5~10 Seconds).
- Mates With Modular Plug Conforming To FCC Part 68, Subpart F.



PCB LAYOUT/TOP VIEW

RoHS Compliant

TOLERANCES ARE

MORETHANALL
 PCB CONNECTORS
 Cable ASSEMBLIES

DRAWING BY CY

CHECKED BY GENIUS

UNIT/mm SCALE 1:1

DATE

SIZE A4

X. ± 0.50
 .X ± 0.38
 .XX ± 0.25
 .XXX ± 0.10
 ANG ± 3°

PJECTION

照片框

ORDER INFORMATION

MJVF12-KX06R-0808-LF

SERIES REEL LEADFREE
 8P8C
 06u" GOLD
 NON EAR
 BLACK

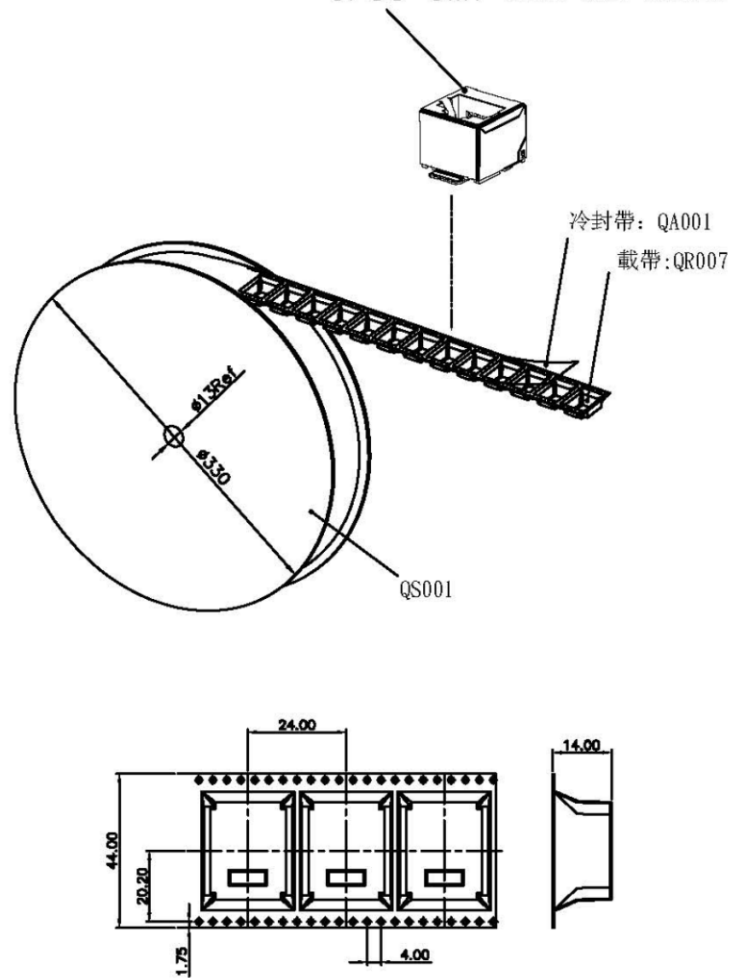
煜倫股份有限公司

www.morethanall.com

DESCRIPTION:

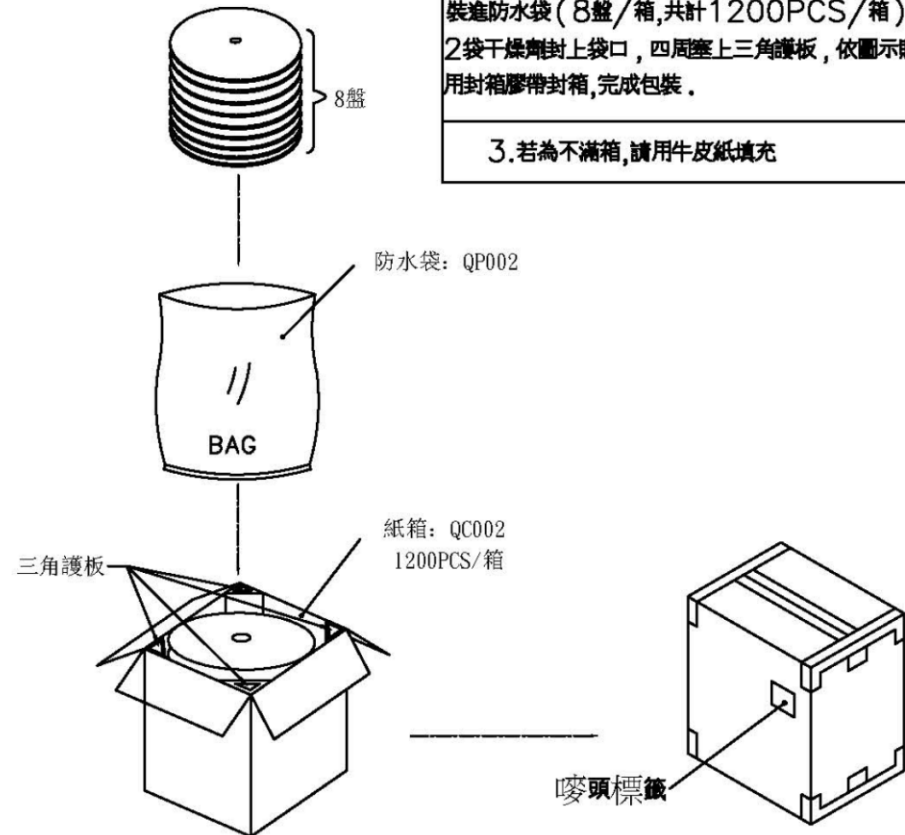
(1.)

8P8C SMT 有鐵殼 無蓋 無香錫腳



1. 請將組立完成之成品依圖面標示方向順序放入 QR007 內，前空15格，後空15格，封上 QA001，每盤裝150 PCS。(請注意捲帶方向)

(2.)



2. 將防水袋打開套入外箱內，再將封裝完成的盤子裝進防水袋(8盤/箱,共計1200PCS/箱)，放進2袋干燥劑封上袋口，四周塞上三角護板，依圖示貼標籤用封箱膠帶封箱，完成包裝。

3. 若為不滿箱，請用牛皮紙填充

RoHS Compliant

TOLERANCES ARE

MORETHANALL
PCB CONNECTORS
Cable ASSEMBLIES

煜倫股份有限公司

www.morethanall.com

DRAWING BY CY

CHECKED BY GENIUS

UNIT/mm
SCALE 1:1
DATE

SIZE A4

X, ± 0.50
.X ± 0.38
.XX ± 0.25
.XXX ± 0.10
ANG ± 3°

P PROJECTION

照片框

ORDER INFORMATION

MJVF12-KX06R-0808-LF

SERIES	REEL	LEADFREE
	06u" GOLD	8P8C
	NON EAR	
	BLACK	

DESCRIPTION: