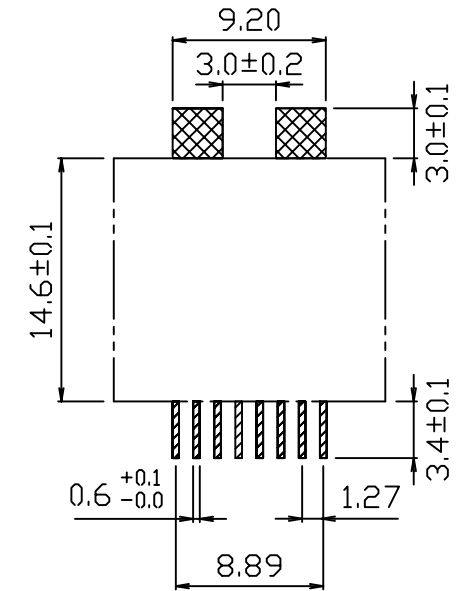


MATERIALS:

- HOUSING-DSM STANYL TE250F6 (NYLON-46)
HEAT DEFLECTION TEMP.290°
BLACK COLOR, UL 94V-0
OR-NYLON ZYTEL FR-52
HEAT DEFLECTION TEMP.278°
BLACK COLOR, UL 94V-0
 - TERMINAL-0.35mm THICK PHOS-BRONZE
PLATED WITH HARD GOLD AND
TIN/LEAD IN SOLDER AREA.
 - HOLD DOWN-0.35mm THICK COPPER ALLOY,
PLATED WITH TIN-LEAD.
- CAVITY CONFIRMS TO FCC RULES AND REGULATIONS
PART 68,SUBPART F.



PCB LAYOUT

NOTE:

1. A AND B HIGHEST POINT
MUST OVER C FLAT SURFACE.
2. THE MAXIMUM DISTANCE (0.15m/m)
BETWEEN LOWEST AND HIGHEST
ON A AND B FLAT SURFACE.

REVISIONS

LTR	DESCRIPTION	DATE	APP
△A	12.80±0.1	05/20/'00	
△B	12.80	05/20/'00	

RoHS Compliant

TOLERANCES ARE



煜倫股份有限公司

www.morethanall.com

DRAWING BY CY

CHECKED BY GENIUS

UNIT / mm

SCALE 1 : 1

DATE

SIZE A4

X, ±

.X ±

.XX ±

.XXX ±

ANG ±

PPOJECTION

照片框

ORDER INFORMATION

MJV13-KX06R-0808-LF

SERIES

REEL

06u" GOLD

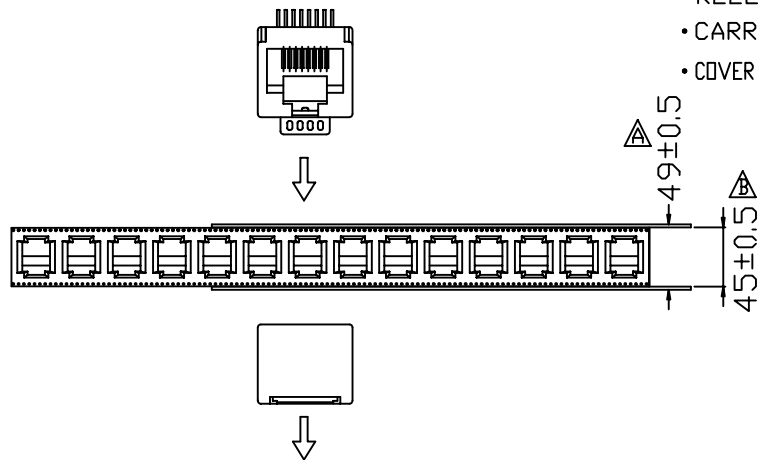
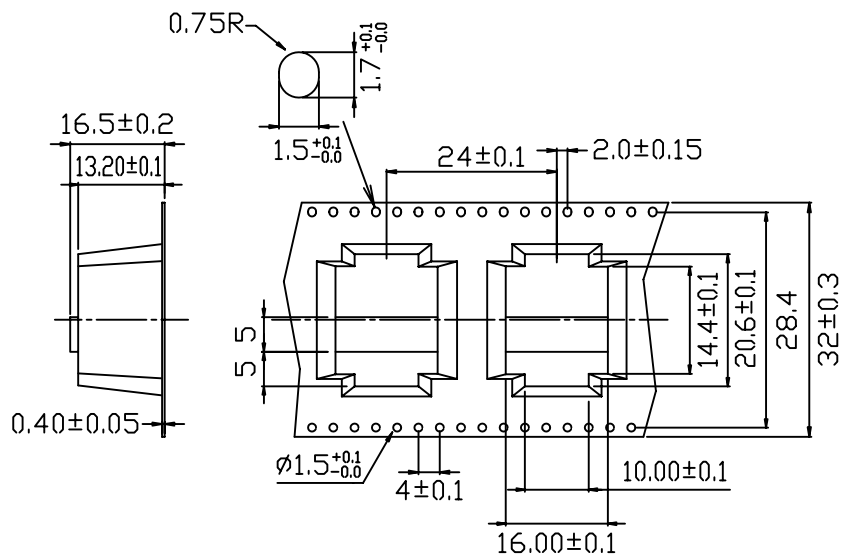
NON EAR

BLACK

8P8C

LEADFREE

DESCRIPTION: 8POSITION TOP ENTRY SMT TYPE W/O BOARD LOCK PCB JACK



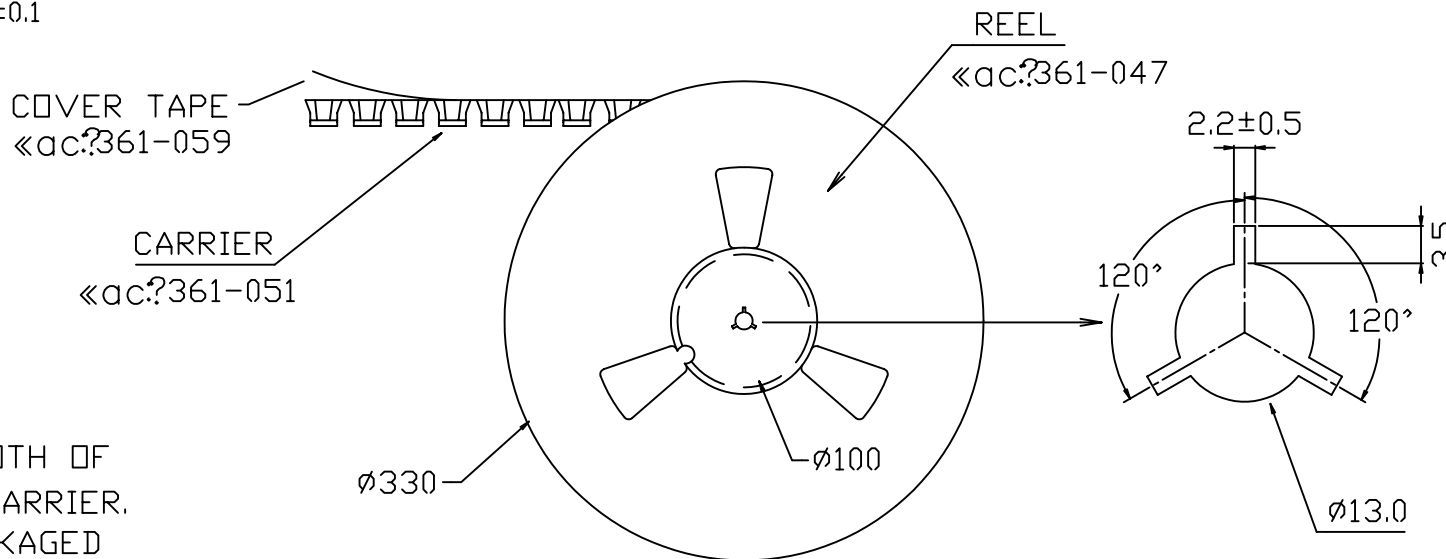
MATERIALS:

- REEL-2mm THICK PLASTIC WHEEL
- CARRIER-PS (0.40mm THICK TAPE).
- COVER TAPE-PE (0.10mm THICK TAPE).

REVISIONS			
LTR	DESCRIPTION	DATE	APP
△	59±2	05/26/'00	
△	47±1	05/26/'00	

NOTES:

- THE DIRECTION OF JACKS PUT INTO CARRIER.
- 10 EMPTY CAVITIES FOR BOTH OF TOP AND BOTTOM OF THE CARRIER.
- 150 PCS PRODUCTS BE PACKAGED ONE REEL.



RoHS Compliant

TOLERANCES ARE

MORETHANALL
PCB CONNECTORS
Cable ASSEMBLIES
煜倫股份有限公司

DRAWING BY CY
CHECKED BY GENIUS
UNIT / mm SCALE 1:1
DATE

X, ±
.X ±
.XX ±
.XXX ±
ANG ±

照片框

ORDER INFORMATION

MJV13-KX06R-0808-LF
SERIES REEL LEADFREE
8P8C
06u" GOLD
NON EAR
BLACK

www.morethanall.com

SIZE A4

PJECTION

DESCRIPTION: TAPE & REEL PACKAGING SPEC.