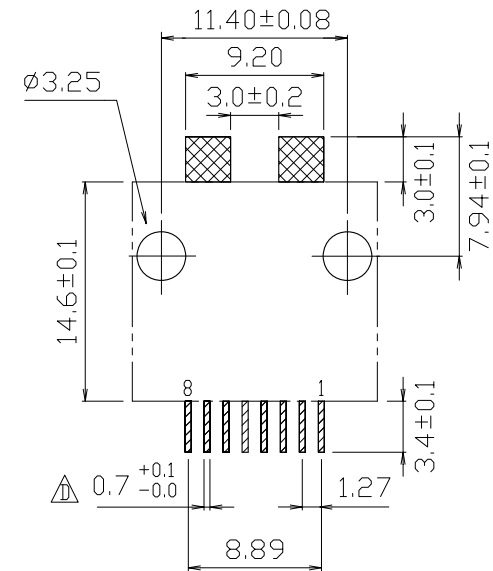


MATERIALS:

- HOUSING-PA9T GN2330  
HEAT RESISTANT POLYAMIDE RESIN  
BLACK ODOR, UL94V-0
- INSERT HOUSING-DSM STANYL TE250F6 (NYLON-46)  
HEAT DEFLECTION TEMP.290°  
BLACK ODOR, UL94V-0.
- CONTACTS-0.35mm THICK PHOS-BRONZE  
PLATED WITH HARD GOLD AND  
GOLD FLASH IN SOLDER AREA.
- HOLD DOWN-0.35mm THICK COPPER ALLOY,  
PLATED WITH TIN.

CAVITY CONFIRMS TO FCC RULES AND REGULATIONS  
PART 68,SUBPART F.



PCB LAYOUT  
Ref.

NOTE:

1. A AND B HIGHEST POINT  
MUST OVER C FLAT SURFACE.
2. THE MAXIMUM DISTANCE (0.15m/m)  
BETWEEN LOWEST AND HIGHEST  
ON A AND B FLAT SURFACE.

RoHS Compliant

TOLERANCES ARE

**MORETHANALL**  
PCB CONNECTORS  
Cable ASSEMBLIES

DRAWING BY CY

X.±

CHECKED BY GENIUS

.X±

UNIT / mm

SCALE 1 : 1

.XX±

DATE

.XXX±

ANG ±

煜倫股份有限公司

www.morethanall.com

SIZE A4

PJECTION

照片框

ORDER INFORMATION

MJV13-KX06PR-0808-LF

SERIES

REEL

POST

06u" GOLD

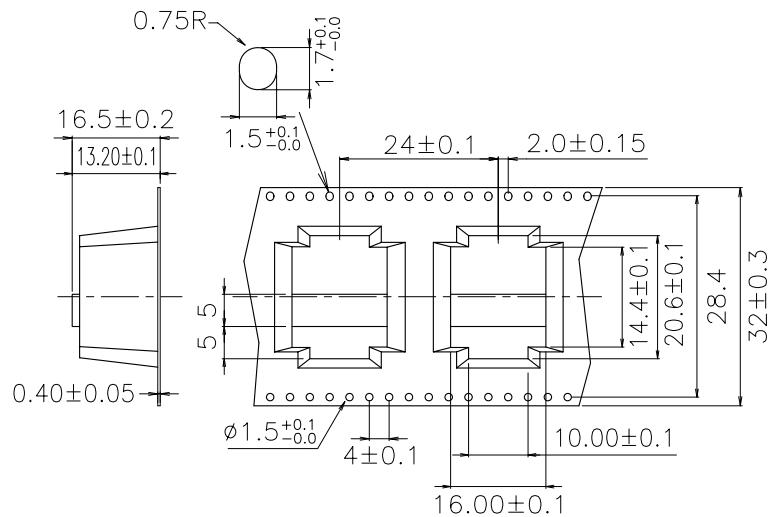
NON EAR

8P8C

LEADFREE

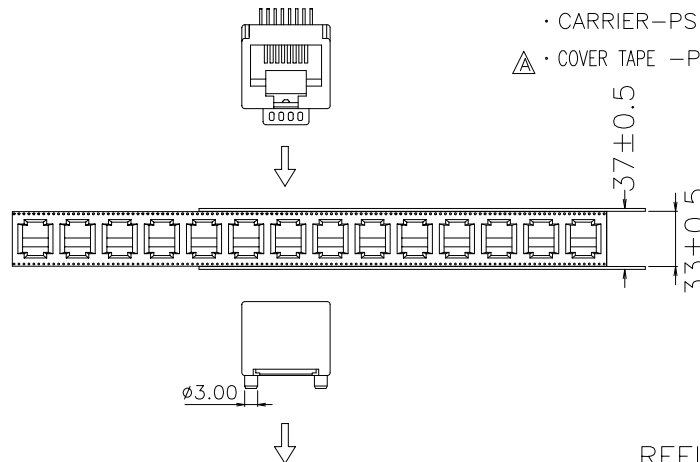
BLACK

DESCRIPTION: 8POSITION TOP ENTRY SMT TYPE BOARD LOCK Ø3.00 PCB JACK



MATERIALS:

- REEL-2mm THICK PLASTIC WHEEL
- CARRIER-PS (0.40mm THICK TAPE).
- △ · COVER TAPE -PE (MIN0.045~0.12mm THICK TAPE).



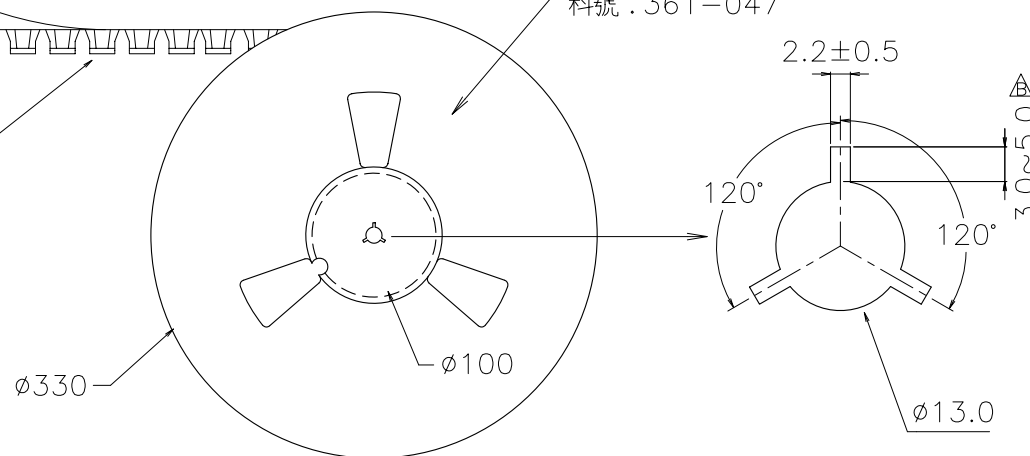
| REVISIONS |             |          |       |
|-----------|-------------|----------|-------|
| LTR       | DESCRIPTION | DATE     | APP   |
| △         | 0.10        | 08/29/06 | CHANG |
| △         | 3.5         | 08/29/06 | CHANG |
| △         | 150         | 08/29/06 | CHANG |
| △         | 1200        | 08/29/06 | CHANG |

外箱料號 361-052(X1) NO MARK  
 外箱料號 361-173(X1) +TYCO LOGO  
 支撐架料號 361-058(X4)  
 軸外保護帶料號 361-318

COVER TAPE  
 料號: 361-059

CARRIER  
 料號: 361-051

REEL  
 料號: 361-047



NOTES:

- THE DIRECTION OF JACKS PUT INTO CARRIER.
- 10 EMPTY CAVITIES FOR BOTH OF TOP AND BOTTOM OF THE CARRIER.
- △ 180 PCS PRODUCTS BE PACKAGED ONE REEL.
- CARTON SIZE: 345(L)X345(W)X315(H)  
 8 REEL/CARTON  
 TOTAL: 1440 PCS △

RoHS Compliant

TOLERANCES ARE

**MORETHANALL**  
 PCB CONNECTORS  
 Cable ASSEMBLIES

煜倫股份有限公司

www.morethanall.com

DRAWING BY CY

CHECKED BY GENIUS

UNIT / mm SCALE 1:1

DATE

SIZE A4

X, ±  
 .X ±  
 .XX ±  
 .XXX ±  
 ANG ±

PJECTION

照片框

ORDER INFORMATION

MJV13-KX06PR-0808-LF

SERIES REEL LEADFREE  
 8P8C  
 BLACK POST 06u" GOLD NON EAR

DESCRIPTION: TAPE & REEL PACKAGING SPEC.