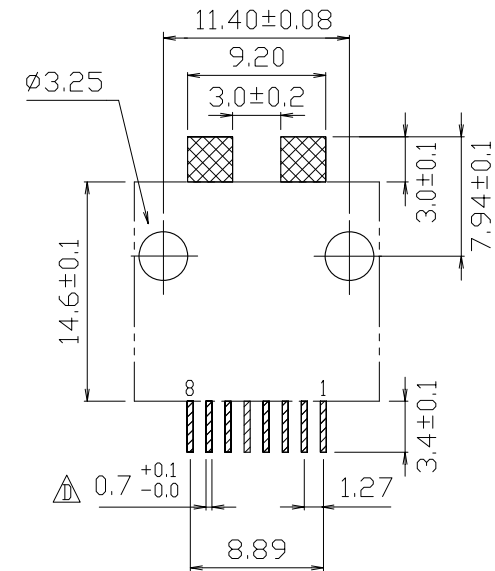


MATERIALS:

- HOUSING-PA9T GN2330
HEAT RESISTANT POLYAMIDE RESIN
BLACK OD&DR, UL94V-0
- INSERT HOUSING-DSM STANYL TE250F6 (NYLON-46)
HEAT DEFLECTION TEMP.290°
BLACK OD&DR, UL94V-0.
- CONTACTS-0.35mm THICK PHOS-BRONZE
PLATED WITH HARD GOLD AND
GOLD FLASH IN SOLDER AREA.
- HOLD DOWN-0.35mm THICK COPPER ALLOY,
PLATED WITH TIN.

CAVITY CONFIRMS TO FCC RULES AND REGULATIONS
PART 68,SUBPART F.



PCB LAYOUT
Ref.

NOTE:

1. A AND B HIGHEST POINT
MUST OVER C FLAT SURFACE.
2. THE MAXIMUM DISTANCE ($0.15m/m$)
BETWEEN LOWEST AND HIGHEST
ON A AND B FLAT SURFACE.

RoHS Compliant

TOLERANCES ARE

MORETHANALL
PCB CONNECTORS
Cable ASSEMBLIES

煜倫股份有限公司

www.morethanall.com

DRAWING BY CY

CHECKED BY GENIUS

UNIT / mm SCALE 1 : 1

DATE

SIZE A4

X, ±
.X ±
.XX ±
.XXX ±
ANG ±

PJECTION

照片框

ORDER INFORMATION

MJV13-KX06P-0808-LF

SERIES POST 8P8C LEADFREE
06u" GOLD
NON EAR
BLACK

DESCRIPTION: 8POSITION TOP ENTRY SMT TYPE BOARD LOCK 3.00 PCB JACK