

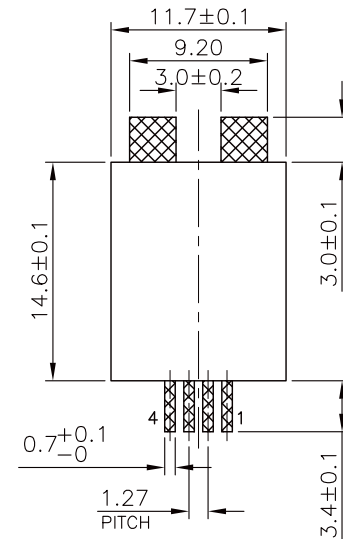
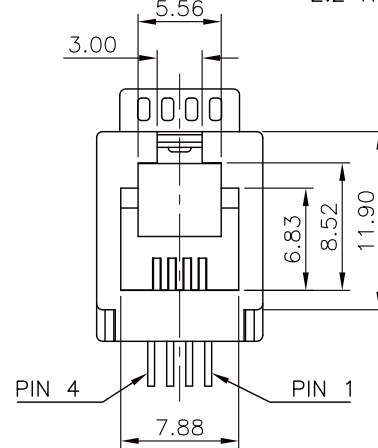
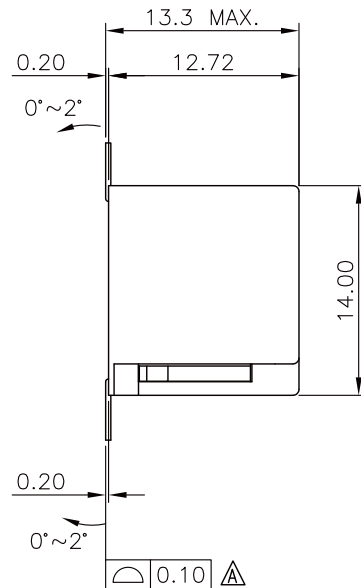
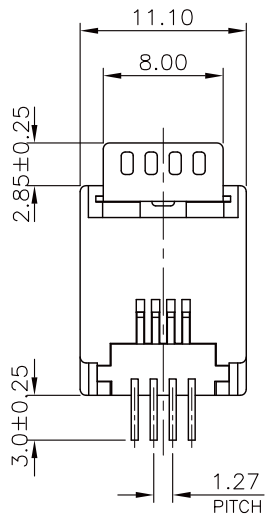
NOTE:
CAVITY CONFIRMS TO FCC RULES AND REGULATIONS PART 68, SUBPART F.

1. MATERIAL:

- 1.1 HOUSING: PA9T, WITH GLASS FIBER, UL94V-0, STANDARD COLOR-BLACK.
- 1.2 INSERT HOUSING: PA46, WITH GLASS FIBER, UL94V-0, STANDARD COLOR-BLACK.
- 1.3 CONTACTS: PHOSPHOR BRONZE.
- 1.4 HOLD DOWN: BRASS.
- 1.5 MYLAR: SILICONE POLYMER.

2. FINISH:

- 2.1 CONTACTS: GOLD PLATED ON CONTACT AREA, GOLD FLASH ON SOLDER TAIL, 1.27 μ m [50 μ] MIN. NICKEL UNDERPLATED OVERALL.
- 2.2 HOLD DOWN: 1.27 μ m [50 μ] MIN. MATTE TIN PLATED.



RECOMMENDED PCB LAYOUT
PCB THICKNESS: 1.6mm
TOLERANCE: ± 0.05 mm (TOP VIEW)

RoHS Compliant

TOLERANCES ARE

MORETHANALL
PCB CONNECTORS
Cable ASSEMBLIES
煜倫股份有限公司

DRAWING BY CY

CHECKED BY GENIUS

UNIT / mm SCALE 1 : 1

DATE

SIZE A4

X, \pm
.X \pm 0.25
.XX \pm 0.13
.XXX \pm 0.05
ANG \pm

P PROJECTION

照片框

ORDER INFORMATION

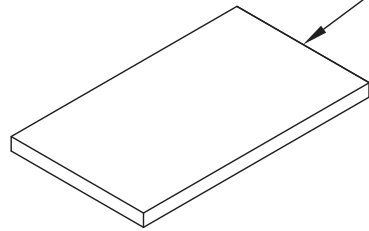
MJV13-KX06-0404-LF

SERIES 4P4C LEADFREE
06u" GOLD
NON EAR
BLACK

DESCRIPTION: 4POSITION, SMT TYPE, TOP ENTRY PCB JACK

www.morethanall.com

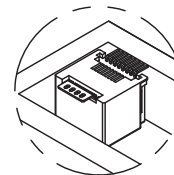
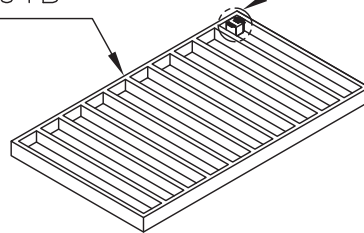
TOP COVER
P/N: 369-001C



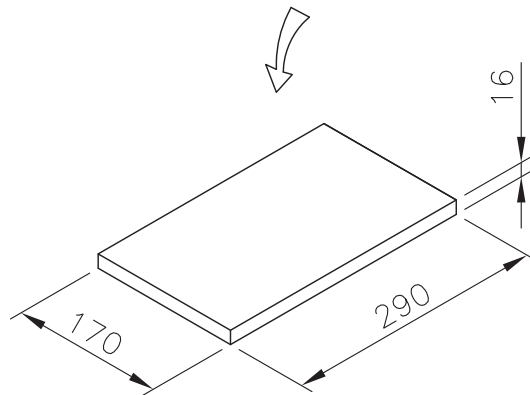
TRAY
P/N: 369-001B



SEE DETAIL P



DETAIL P



RoHS Compliant

TOLERANCES ARE

MORETHANALL
PCB CONNECTORS
Cable ASSEMBLIES

DRAWING BY **CY**

CHECKED BY **GENIUS**

UNIT / mm

SCALE 1 : 1

DATE

SIZE **A4**

X, ±
.X ± 0.25
.XX ± 0.13
.XXX ± 0.05
ANG ±

PJECTION

照片框

ORDER INFORMATION

MJV13-KX06-0404-LF

SERIES

LEADFREE
4P4C
06u" GOLD
NON EAR
BLACK

煜倫股份有限公司

www.morethanall.com

DESCRIPTION: 4POSITION, SMT TYPE, TOP ENTRY PCB JACK