

MATERIALS:
 PLASTIC HOUSING: HIGH TEMP. THERMOPLASTIC FLAMMABILITY RATING UL 94V-0.
 CONTACTS: PHOSPHOR BRONZE
 PLATING: GOLD PLATING OVER NICKEL IN CONTACT.
 TIN PLATING OVER NICKEL IN SOLDER AREA.

PCB LAYOUT/TOP VIEW

- * 1. 凡標註 \triangle 記號者為品管管制尺寸。
- 2. 請注意第3,4 項端子與鐵腳平面度公差需一致(同為正或同為負)。

RoHS Compliant

TOLERANCES ARE

MORETHANALL
 PCB CONNECTORS
 Cable ASSEMBLIES

DRAWING BY CY

CHECKED BY GENIUS

UNIT / mm

SCALE 1:1

DATE

SIZE A4

PPOJECTION

X. ±
 .X ±
 .XX ±
 .XXX ±
 ANG ±

照片框

ORDER INFORMATION

MJV12-KX06R-0404-LF

SERIES

LEADFREE

4P4C

REEL

06u" GOLD

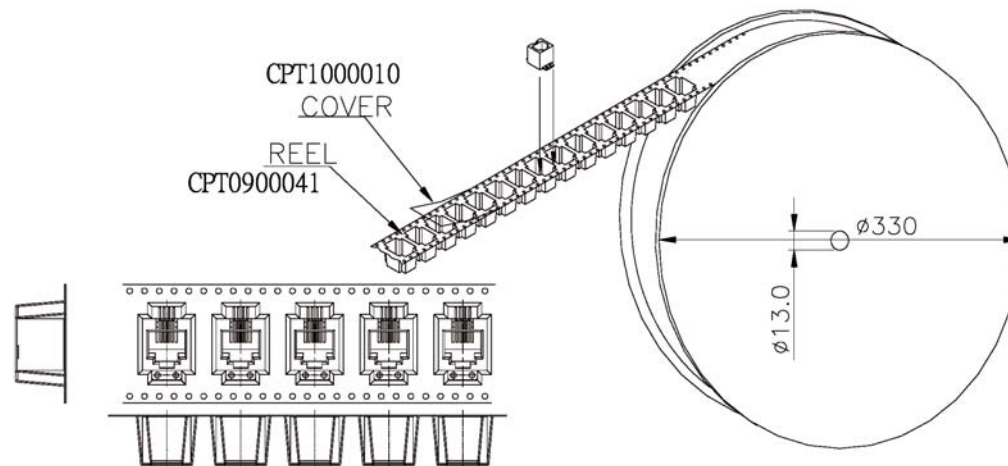
NON EAR

BLACK

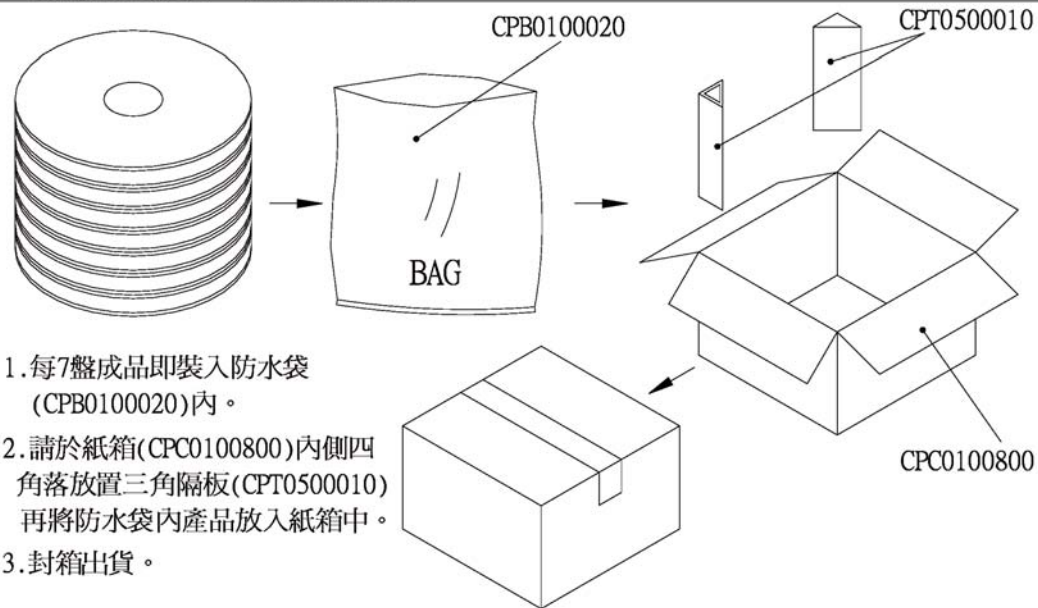
煜倫股份有限公司

www.morethanall.com

DESCRIPTION:



1. 請將組立完成之成品依圖面標示方向順序放入CPT0900041內，前空5格，後空5格，封上CPT1100010，每盤裝230 Pcs。



1. 每7盤成品即裝入防水袋 (CPB0100020)內。
2. 請於紙箱(CPC0100800)內側四角落放置三角隔板(CPT0500010)再將防水袋內產品放入紙箱中。
3. 封箱出貨。

RoHS Compliant

TOLERANCES ARE

MORETHANALL
PCB CONNECTORS
Cable ASSEMBLIES

DRAWING BY CY

CHECKED BY GENIUS

UNIT / mm SCALE 1 : 1

DATE

SIZE A4

X, ±
.X ±
.XX ±
.XXX ±
ANG ±

PPOJECTION

照片框

ORDER INFORMATION

MJV12-KX06R-0404-LF

SERIES LEADFREE
 REEL 4P4C
06u" GOLD
NON EAR
BLACK

煜倫股份有限公司

www.morethanall.com

DESCRIPTION: