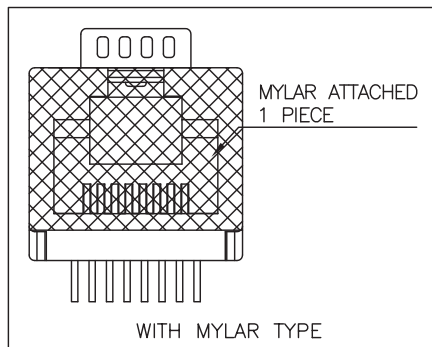


RECOMMENDED PCB LAYOUT
PCB THICKNESS: 1.6mm
TOLERANCE: ±0.05mm (TOP VIEW)

NOTE:
CAVITY CONFIRMS TO FCC RULES AND REGULATIONS PART 68, SUBPART F.

1. MATERIAL:
 - 1.1 HOUSING: PA9T, WITH GLASS FIBER, UL94V-0, STANDARD COLOR-BLACK.
 - 1.2 INSERT HOUSING: PA46, WITH GLASS FIBER, UL94V-0, STANDARD COLOR-BLACK.
 - 1.3 CONTACTS: PHOSPHOR BRONZE.
 - 1.4 HOLD DOWN: BRASS.
 - 1.5 MYLAR: SILICONE POLYMER.
2. FINISH:
 - 2.1 CONTACTS: GOLD PLATED ON CONTACT AREA, GOLD FLASH ON SOLDER TAIL, 1.27μm [50μ"] MIN. NICKEL UNDERPLATED OVERALL.
 - 2.2 HOLD DOWN: 1.27μm [50μ"] MIN. MATTE TIN PLATED.



RoHS Compliant

TOLERANCES ARE

MORETHANALL
PCB CONNECTORS
Cable ASSEMBLIES

DRAWING BY CY

X, ±
.X ± 0.25
.XX ± 0.13
.XXX ± 0.05
ANG ±

CHECKED BY GENIUS

UNIT / mm SCALE 1 : 1

DATE

SIZE A4

PJECTION

照片框

ORDER INFORMATION

MJV12-KX06-0808-LF

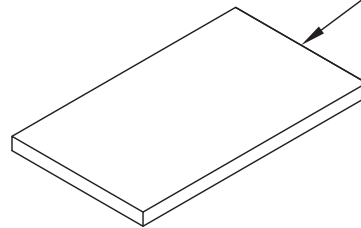
SERIES | | LEADFREE
| | 8P8C
| | 06u" GOLD
| | NON EAR
| | BLACK

煜倫股份有限公司

www.morethanall.com

DESCRIPTION: 8POSITION, SMT TYPE, TOP ENTRY PCB JACK

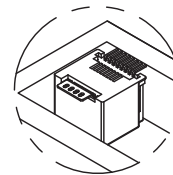
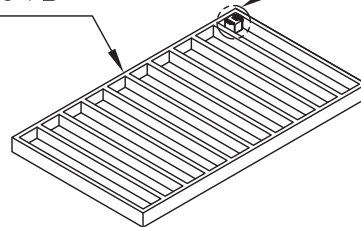
TOP COVER
P/N: 369-001C



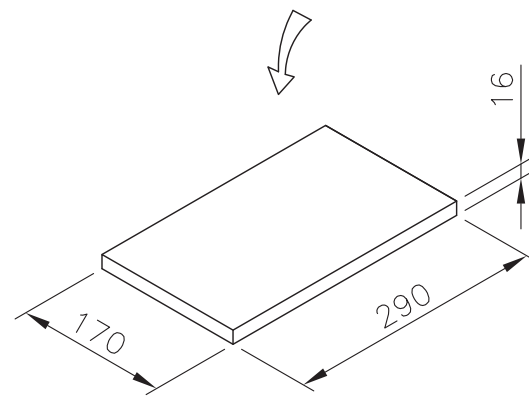
TRAY
P/N: 369-001B



SEE DETAIL P



DETAIL P



RoHS Compliant

TOLERANCES ARE

MORETHANALL
PCB CONNECTORS
Cable ASSEMBLIES

DRAWING BY CY
CHECKED BY GENIUS
UNIT / mm SCALE 1:1
DATE

X. ±
.X ± 0.25
.XX ± 0.13
.XXX ± 0.05
ANG ±

照片框

ORDER INFORMATION

MJV12-KX06-0808-LF
SERIES | 8P8C | LEADFREE
| 06u" GOLD
NON EAR
BLACK

煜倫股份有限公司

www.morethanall.com

SIZE A4 PROJECTION

DESCRIPTION: 8POSITION, SMT TYPE, TOP ENTRY PCB JACK