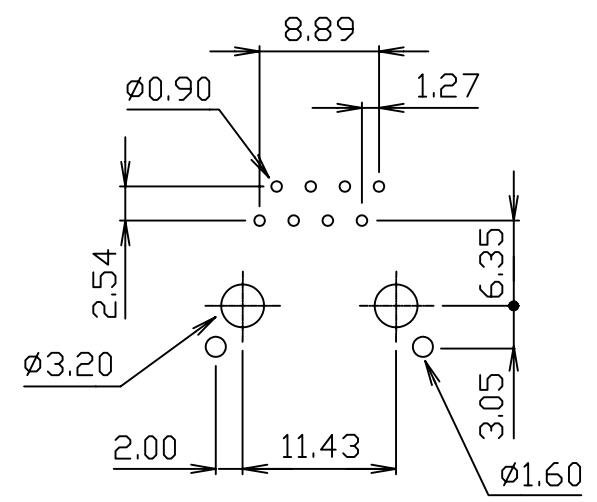


MATERIAL: HOUSING-PBT POLYESTER UL94V-0
 MIXED GLASS FIBER.
 STANDARD COLOR-BLACK
 TERMINAL-0.35mm THICK PHOS-BORNZE
 PLATED WITH HARD GOLD AND
 TIN/LEAD IN SOLDER AREA.
 SHIELD-0.25mm THICK COPPER ALLOY,
 PLATED WITH TIN/LEAD.
 CAVITY CONFIRMS TO FCC RULES AND REGULATIONS
 PART 68,SUBPART F.



PC Board Layout



煜倫股份有限公司

www.morethanall.com

RoHS Compliant

DRAWING BY CY

CHECKED BY GENIUS

UNIT / mm

SCALE 1 : 1

DATE

SIZE A4

TOLERANCES ARE

X. ±
 .X ± 0.25
 .XX ± 0.13
 .XXX ± 0.05
 ANG ±

PJECTION

照片框

ORDER INFORMATION

MJM13J-KT06A3-0808-LF

SERIES

LEADFREE
 8P8C
 FRONT TAB 3.05mm
 06u" GOLD
 TOP SPRING
 BLACK

DESCRIPTION: 8POSITION SHIELDED LOW PROFILE, SIDE ENTRY PCB JACK
 PANEL GROUND TYPE