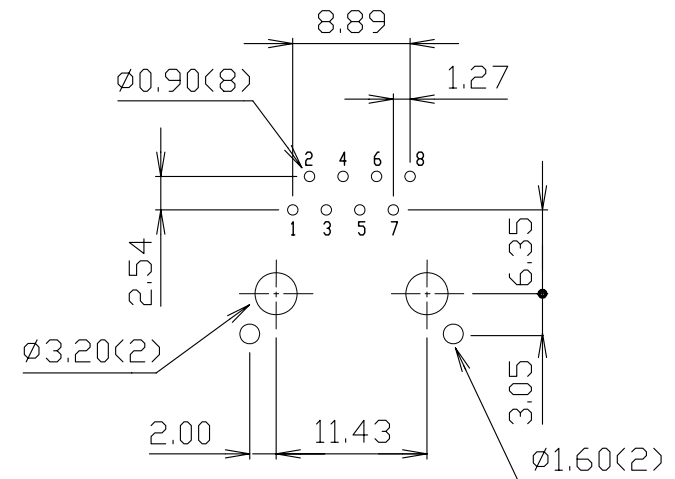


- MATERIAL:
- HOUSING-PBT POLYESTER UL94V-0 MIXED GLASS FIBER, STANDARD COLOR-BLACK
 - CONTACTS-0.35mm THICK PHOS-BORNE PLATED WITH HARD GOLD AND GOLD FLASH IN SOLDER AREA.
 - SHIELD-0.25mm THICK COPPER ALLOY, PLATED WITH NICKEL.
- CAVITY CONFIRMS TO FCC RULES AND REGULATIONS PART 68,SUBPART F.



PC Board Layout Ref.

RoHS Compliant

TOLERANCES ARE

MORETHANALL
PCB CONNECTORS
Cable ASSEMBLIES

煜倫股份有限公司

www.morethanall.com

DRAWING BY CY

CHECKED BY GENIUS

UNIT / mm

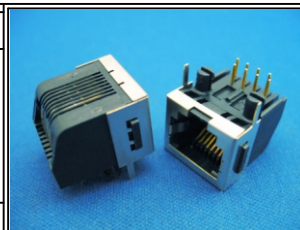
SCALE 1 : 1

DATE

SIZE A4

P PROJECTION

X.±
.X±
.XX±
.XXX±
ANG±



ORDER INFORMATION

MJM13J-KE06A3-0808-LF

SERIES | 8P8C LEADFREE
FRONT TAB 3.05mm
06u" GOLD
EAR BLACK

DESCRIPTION: RJ45, SHIELDED LOW PROFILE, SIDE ENTRY PCB JACK