

Specification:

Qualified Cat.6A / Class E_A (10G/500MHz)
 TIA/EIA-568-B.2-10 draft 3
 ISO/IEC 11801 2nd Edition, EN 50173 2nd Edition
 IEC 60603-7

Physicals

Housing : PC,UL94V-0

PCB MODULE

Insertion : PBT UL94V-0

Contact : Ø 0.46 mm Phosphor Bronze

30 Micro inches gold over nickel plating

IDC termination for cable : Accept AWG 23~26 solid wire

Terminal : 0.4 mm Phosphor Bronze tin plating

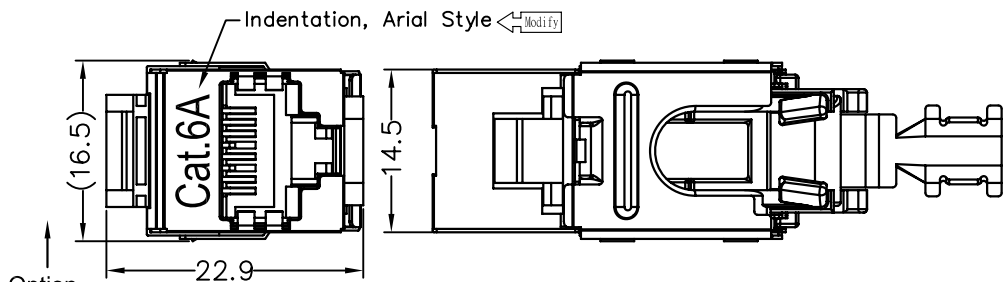
IDC Holder : PC,94V-0

PCB : FR4 1.0mm Thickness

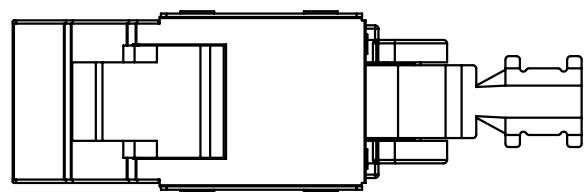
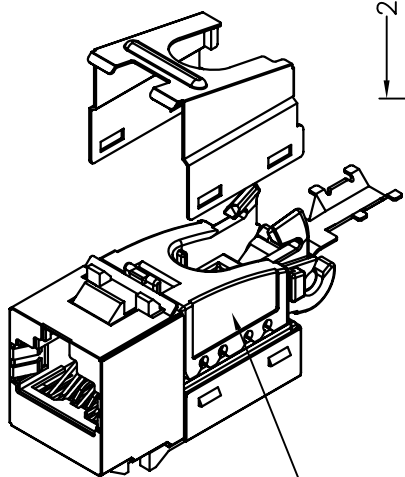
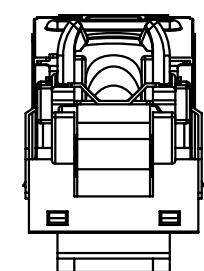
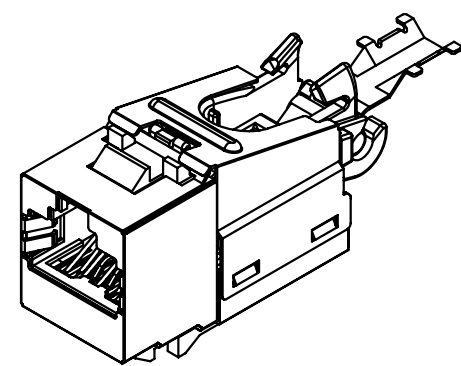
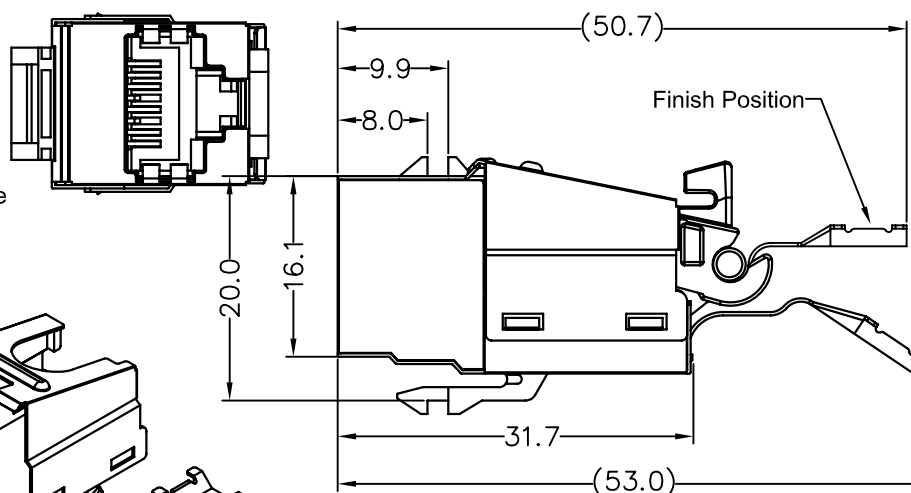
Cap : PC,UL94V-0

SHIELD CAP : SPTE 0.30mm Thickness

SHIELD BASE : SPTE 0.30mm Thickness



Option



BOTH SIDE COLOR CODE LABEL



RoHS Compliant

TOLERANCES ARE

MORETHANALL
 PCB CONNECTORS
 Cable ASSEMBLIES

DRAWING BY CY

CHECKED BY GENIUS

UNIT / mm SCALE 1 : 1

DATE

SIZE A4

X, ±
 .X ±
 .XX ±
 .XXX ±
 ANG ±

PJECTION

照片框

ORDER INFORMATION

MJK16C6A-TKF30UL-0808-LF

SERIES | | | | LEADFREE
 | | | | 8P8C
 | | | | UP/LOCK
 | | | | 30u" GOLD
 | | | | FULL METAL
 | | | | BLACK

DESCRIPTION: CAT.6A STP TOOLLESS KEYSTONE JACK

煜倫股份有限公司

www.morethanall.com