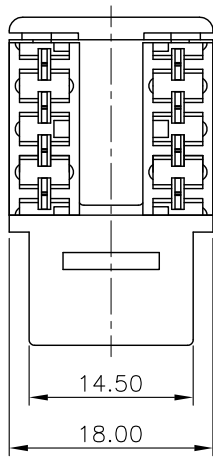


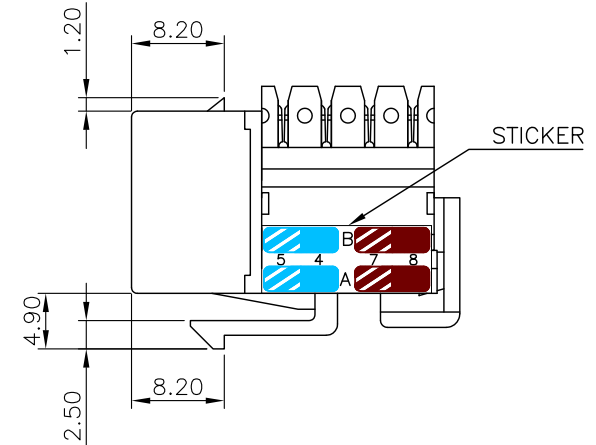
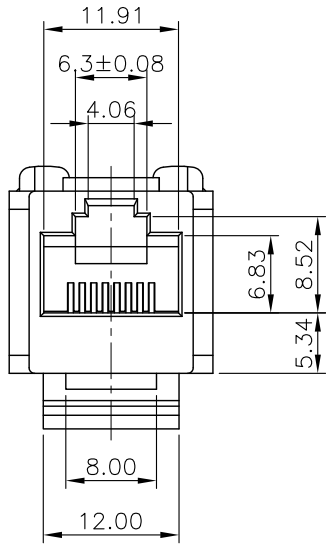
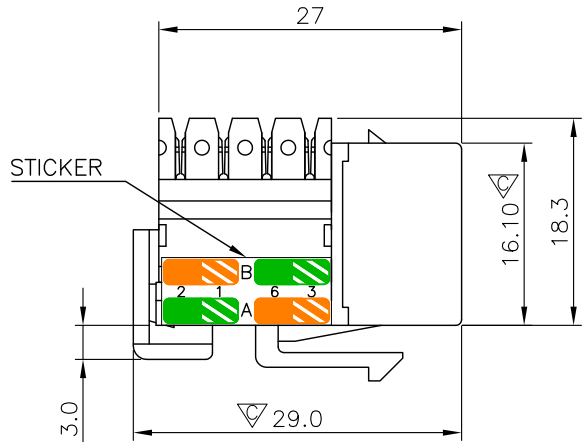
STICKER  
 PIN.5 WHITE/BLUE  
 PIN.4 BLUE  
 PIN.1 WHITE/ORANGE  
 PIN.2 ORANGE  
 PIN.3 WHITE/GREEN  
 PIN.6 GREEN  
 PIN.7 WHITE/BROWN  
 PIN.8 BROWN



NOTE:

CAVITY CONFORMS TO FCC RULES AND REGULATIONS PART 68, SUBPART F.

1. MATERIAL:
  - 1.1 HOUSING: ABS, WITH GLASS FIBER, UL94V-0, STANDARD COLOR-GRAY.
  - 1.2 BASE: ABS+PC, WITH GLASS FIBER, UL94V-0, STANDARD COLOR-GRAY.
  - 1.3 TOP & REAR COVER: ABS, WITH GLASS FIBER, UL94V-0, STANDARD COLOR-GRAY.
  - 1.4 SIDE COVER: PBT, WITH GLASS FIBER, UL94V-0, STANDARD COLOR-BLACK.
  - 1.5 INSERT HOUSING: PBT, WITH GLASS FIBER, UL94V-0, STANDARD COLOR-BLACK.
  - 1.6 CONTACTS: PHOSPHOR BRONZE.
  - 1.7 PCB: FR4, THICKNESS: 1.6mm.
2. FINISH:
  - 2.1 CONTACTS: 1.27 $\mu$ m [50 $\mu$ "] GOLD PLATED ON CONTACT AREA, GOLD FLASH ON SOLDER TAIL, 1.27 $\mu$ m [50 $\mu$ "] MIN. NICKEL UNDERPLATED OVERALL.
3. "▽" SHOWS QIP INSPECTION POINT.



RoHS Compliant

TOLERANCES ARE



DRAWING BY CY

CHECKED BY GENIUS

UNIT / mm SCALE 1 : 1

DATE

SIZE A4

X, ±  
 .X ± 0.30  
 .XX ± 0.25  
 .XXX ± 0.10  
 ANG ±

PJECTION

照片框

ORDER INFORMATION

MJK16C6-TWP50-0808-LF

SERIES | 8P8C LEADFREE  
 | 50u" GOLD  
 | PLASTIC  
 | WHITE  
 | IDT

DESCRIPTION: CAT.6 KEYTONE JACK

煜倫股份有限公司

www.morethanall.com