

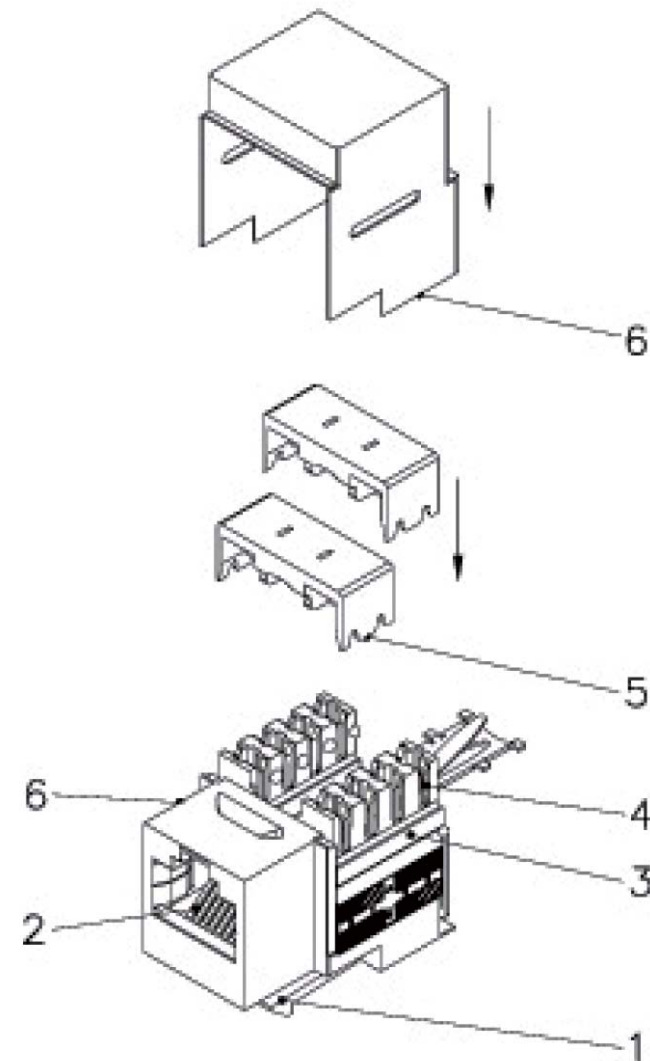
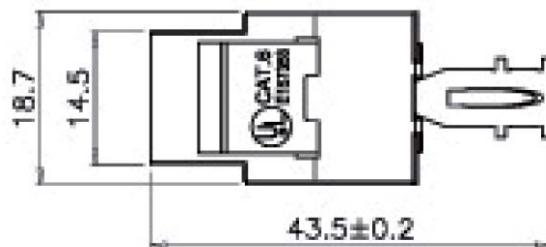
Specification:

Material :

1. Plastic Housing : ABS + PC, UL 94V-0.
2. RJ45 Contact material & finished :
 - 2-1. Phosphor Bronze with 50-60 micro-inch Nickel plated.
 - 2-2. Contact area : Min. 3 mm 50 micro-inch Gold plated.
3. IDC Housing : PC, UL 94V-2.
4. IDC Terminal material & finished :
 - 4-1. Phosphor Bronze with 50 micro-inch Tin-Lead plated over 50-60 micro-inch Nickel plated.
 - 4-2. 110 & Krone tool compatible.
 - 4-3. Use for 22-26 AWG stranded and solid wire.
5. IDC CAP : ABS UL 94-HB.
6. Shield : Bronze with Nickel plated.

Performance :

- a. The IDC color codes combine two wirings of T568A & T568B.
- b. Insertion Force : 900 grms for 8 contacts.
- c. Retention Strength : 7.7 kgs between Jack and Plug.
- d. Operation Temperature : -40°C to 80°C.
- e. Durability :
 - e-1. Jack : 750 cycles Plug-Jack mating and unmating test, Insertion cycles at 20 cycles/minute max. Contact resistance test per 100 cycles.
 - e-2. IDC : Max. 200 punching times.
- f. The Cat.6 performance is in compliance with the ANSI/TIA/EIA 568 B.2-1 standard.



SCALE 1/1

RoHS Compliant

TOLERANCES ARE

MORETHANALL
PCB CONNECTORS
Cable ASSEMBLIES

煜倫股份有限公司

www.morethanall.com

DRAWING BY CY

CHECKED BY GENIUS

UNIT / mm

SCALE 1 : 1

DATE

SIZE A4

PPOJECTION

X, ±
.X ±
.XX ±
.XXX ±
ANG ±

照片框

ORDER INFORMATION

MJK16C6-TKF50-0808-LF

| | |
|------------|----------|
| SERIES | LEADFREE |
| 50u" GOLD | 8P8C |
| FULL METAL | |
| BLACK | |
| IDT | |

DESCRIPTION: