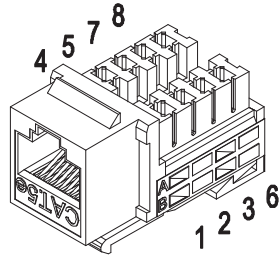
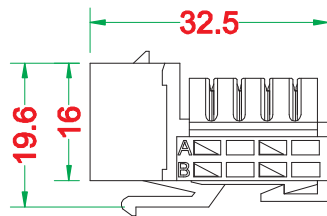
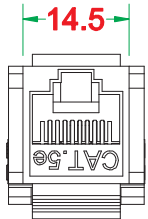
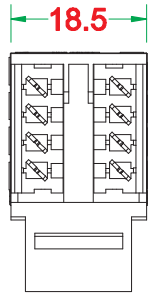


Cat.5e RJ-45 Narrow Keystone Jack (UTP) / Dual Type (Krone & 110)



Dimensions:



Color coding information

T568B:	T568A:
1—WH/OR	1—WH/GN
2—OR	2—GN
3—WH/GN	3—WH/OR
4—BL	4—BL
5—WH/BL	5—WH/BL
6—GN	6—OR
7—WH/BR	7—WH/BR
8—BR	8—BR

Performance:

Meets Cat.5e EIA/TIA 568B.1 Standard.

Materials:

Plastic Body : Fireproof ABS UL-94V0
 RJ-45 Jack : 8P8C 50 micro inches gold plated
 PCB : FR-4 / 1.0mm
 IDC Body : Fireproof ABS UL-94V0
 IDC Pin : Bronze & Tinned

Label Color Code : T568 A/B

IDC Description : For 22-26 AWG.

For 110 or Krone punch-down Tool

Electrical Specifications:

Insulation Resistance : 500M ohms (min.)
 Contact Resistance : 20m ohms (max.)
 Current Rating : 1.5 Amps .
 DC Resistance : 0.1 ohm (max.)
 Withstanding Voltage : 1000 VAC RMS @ 60Hz / 1 min.

Mechanical Specifications:

IDC Punch Down Cycle : Over 25 Cycles (min.)
 RJ-45 Jack Insertion Cycle : Over 2000 Cycles (min.)

Operation Temperature : -40 ~ +70 degree / C

RoHS Compliant

TOLERANCES ARE

MORETHANALL
 PCB CONNECTORS
 Cable ASSEMBLIES

煜倫股份有限公司

www.morethanall.com

DRAWING BY CY

CHECKED BY GENIUS

UNIT / mm

SCALE 1 : 1

DATE

SIZE A4

PPOJECTION

X. ±
 .X ±
 .XX ±
 .XXX ±
 ANG ±

照片框

ORDER INFORMATION

MJK16C5E-TWP50FP-0808-LF

SERIES

IDT

50u" GOLD

PLASTIC

WHITE

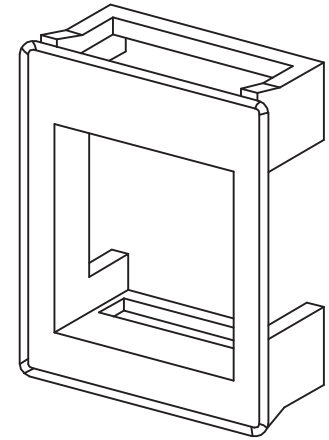
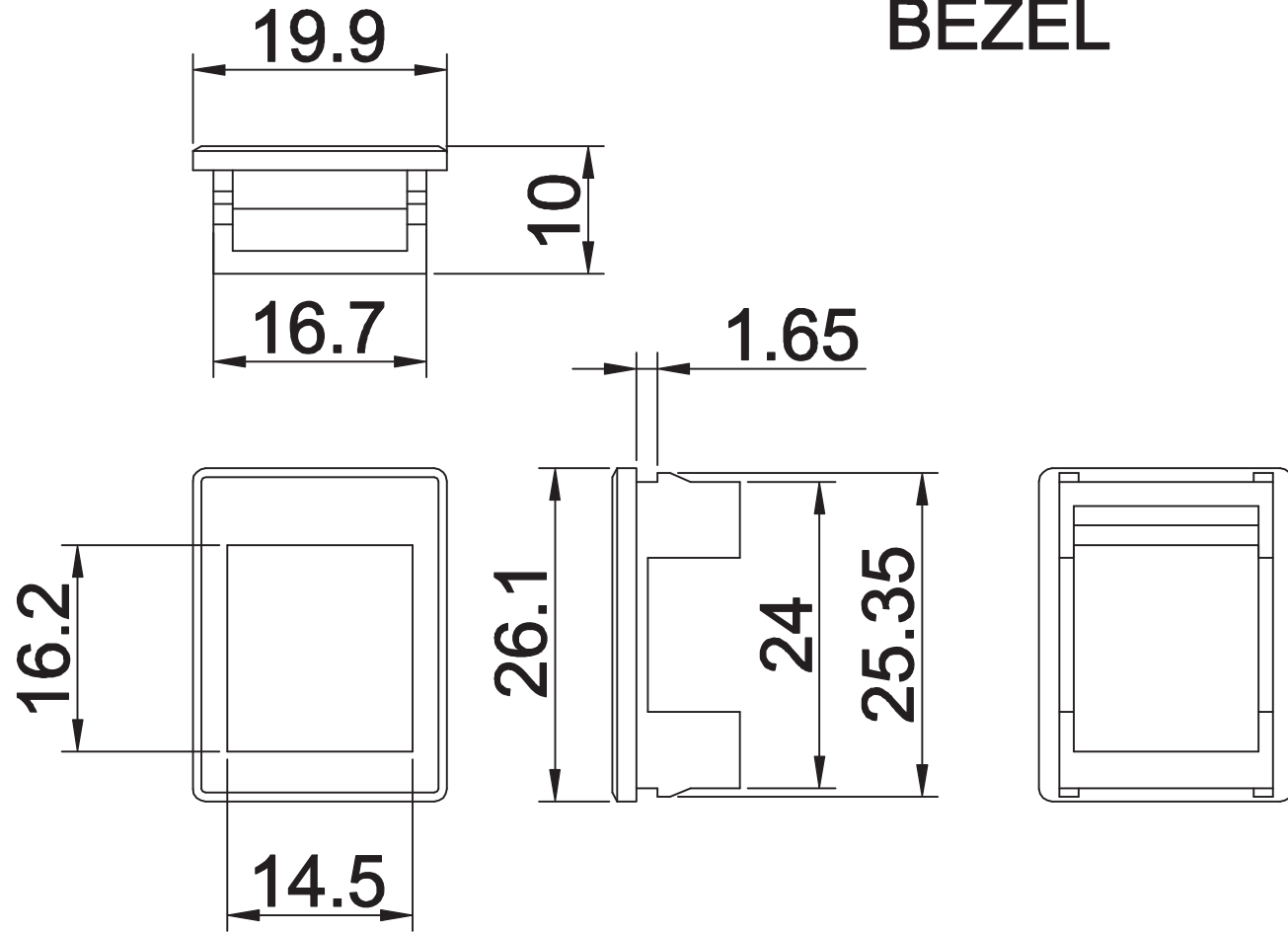
8P8C

FIREPROOF

LEADFREE

DESCRIPTION:

BEZEL



Materials:

Plastic Body: Fireproof ABS UL-94V0

RoHS Compliant

TOLERANCES ARE

MORETHANALL
PCB CONNECTORS
Cable ASSEMBLIES

煜倫股份有限公司

www.morethanall.com

DRAWING BY CY

CHECKED BY GENIUS

UNIT / mm

SCALE 1:1

DATE

SIZE A4

X.±

.X±

.XX±

.XXX±

ANG±

PPOJECTION

照片框

ORDER INFORMATION

MJK16C5E-TWP50FP-0808-LF

SERIES

IDT

50u" GOLD

PLASTIC

WHITE

8P8C

FIREPROOF

LEADFREE

DESCRIPTION: