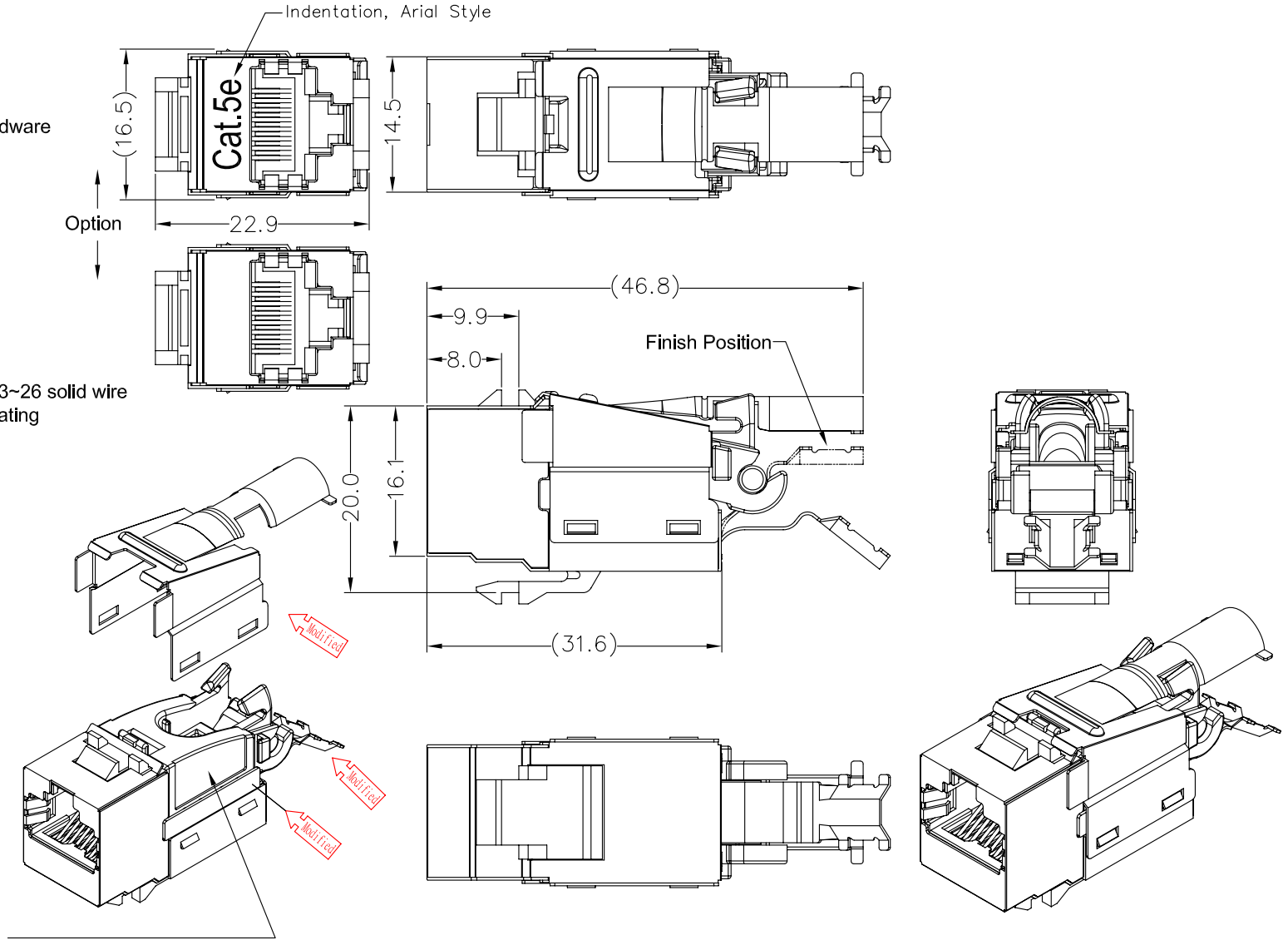


Specification:

TIA/EIA 568-B.2 Cat.5e
 ISO/IEC 11801 2nd Class D Connecting Hardware
 EN 50173-1
 IEC 60603-7-2

Physicals:

Housing : PC, UL 94V-0
 PCB MODULE
 Insertion : PBT, UL 94V-0
 Contact : Ø 0.46 mm Phosphor Bronze,
 gold over nickel plating
 IDC termination for cable : Accept AWG 23~26 solid wire
 Terminal : 0.4 mm Phosphor Bronze tin plating
 IDC Holder : PC, UL 94V-0
 PCB : FR4 1.0mm Thickness
 Cap : PC, UL 94V-0
 Shield Cap : SPTE 0.30mm Thickness
 Shield Base : SPTE 0.30mm Thickness



BOTH SIDES COLOR CODE LABEL



RoHS Compliant

MORETHANALL
 PCB CONNECTORS
 Cable ASSEMBLIES

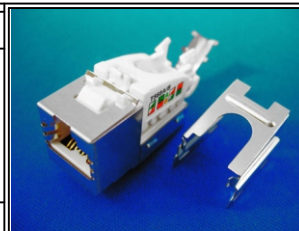
煜倫股份有限公司

www.morethanall.com

DRAWING BY CY
 CHECKED BY GENIUS
 UNIT / mm SCALE 1 : 1
 DATE
 SIZE A4 PPROJECTION

TOLERANCES ARE

X, ±
 .X ±
 .XX ±
 .XXX ±
 ANG ±



ORDER INFORMATION

MJK16C5E-TWF30UL-0808-LF

SERIES

8P8C
 UP/LOCK
 30u" GOLD
 FULL METAL
 WHITE

LEADFREE

DESCRIPTION: CAT.5e STP KEYSTONE JACK