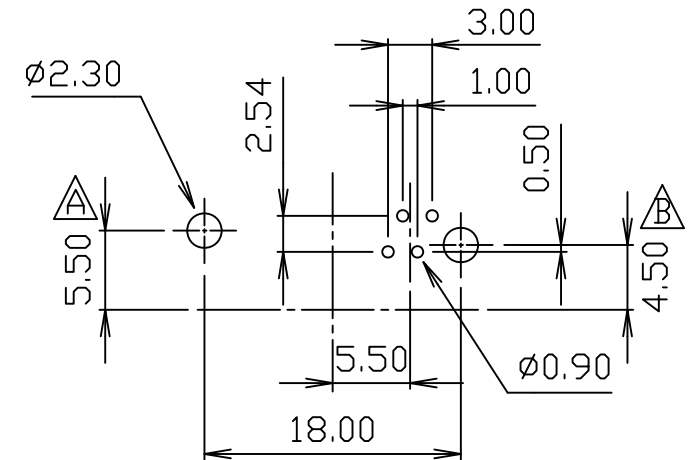
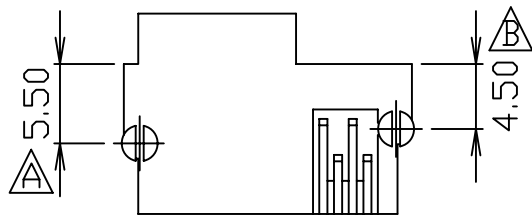


MATERIAL:

- HOUSING-NYLON 66 POLYESTER UL94V-0 MIXED GLASS FIBER, STANDARD COLOR-BLACK
  - CONTACTS-0.45mm DIAMETER PHOS-BRONZE PLATED WITH HARD GOLD.
- CAVITY CONFIRMS TO FCC RULES AND REGULATIONS PART 68,SUBPART F.



PC Board Layout



REVISIONS			
LTR	DESCRIPTION	DATE	APP
A	6.50	06/02/'01	
B	5.50	06/02/'01	

RoHS Compliant

TOLERANCES ARE

**MORETHANALL**  
PCB CONNECTORS  
Cable ASSEMBLIES

煜倫股份有限公司

www.morethanall.com

DRAWING BY CY

CHECKED BY GENIUS

UNIT / mm SCALE 1:1

DATE

SIZE A4

X.±  
.X±  
.XX±  
.XXX±  
ANG±

PJECTION

照片框

ORDER INFORMATION

MJH11-KE01-0404-LF

SERIES | LEADFREE  
4P4C  
01u" GOLD  
EAR  
BLACK

DESCRIPTION: 4POSITION TOP ENTRY PCB JACK