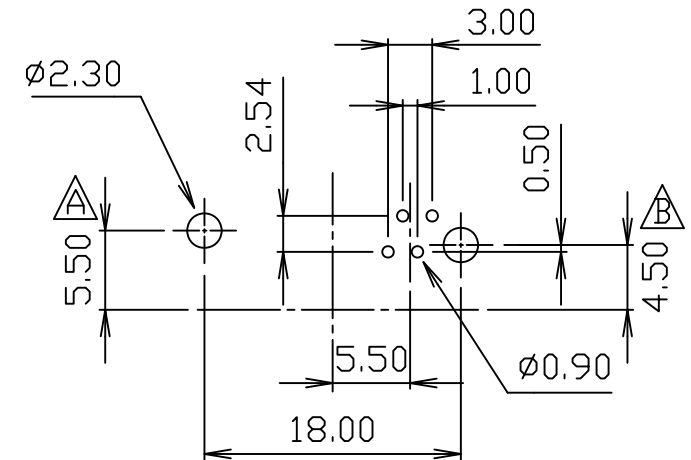
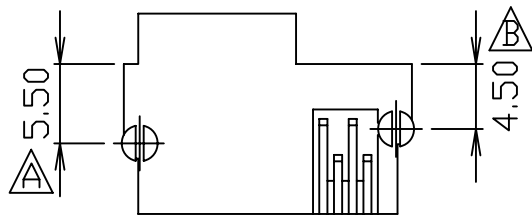


MATERIAL:

- HOUSING-NYLON 66 POLYESTER UL94V-0 MIXED GLASS FIBER, STANDARD COLOR-GRAY
 - CONTACTS-0.45mm DIAMETER PHOS-BRONZE PLATED WITH HARD GOLD.
- CAVITY CONFIRMS TO FCC RULES AND REGULATIONS PART 68,SUBPART F.



PC Board Layout



REVISIONS			
LTR	DESCRIPTION	DATE	APP
A	6.50	06/02/'01	
B	5.50	06/02/'01	

RoHS Compliant

TOLERANCES ARE

MORETHANALL
PCB CONNECTORS
Cable ASSEMBLIES

煜倫股份有限公司

www.morethanall.com

DRAWING BY CY

CHECKED BY GENIUS

UNIT / mm SCALE 1 : 1

DATE

SIZE A4

X. ±

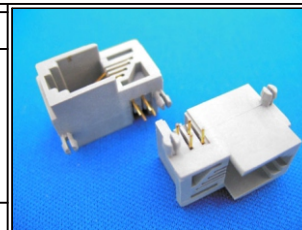
.X ±

.XX ±

.XXX ±

ANG ±

PJECTION



ORDER INFORMATION

MJH11-GE06-0404-LF

SERIES | | | LEADFREE
| | | 4P4C
| | | 06u" GOLD
EAR
GRAY

DESCRIPTION: 4POSITION TOP ENTRY PCB JACK