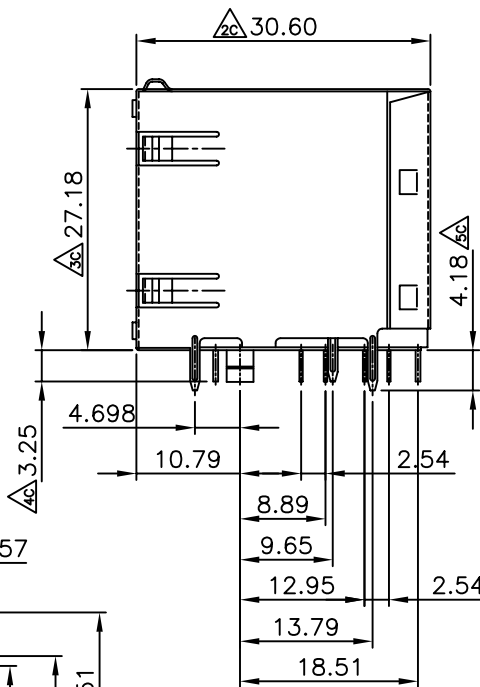
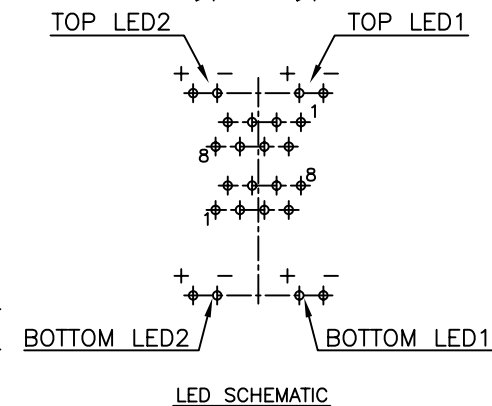


PCB LAYOUT/TOP VIEW



TYPICAL FOR SINGLE COLOR LED (RED, GREEN, YELLOW)



\*1. 凡標註  $\Delta$  記號者, 為品質檢驗之尺寸  
 2c 2. 請確認料號 & LED 顏色.

MATERIALS:

PLASTIC HOUSING: ENGINEERING THERMOPLASTIC  
 FLAMMABILITY RATING UL 94V-0.

CONTACTS: 0.46mm DIAMETER ALLOY C5102, GOLD PLATING OVER NICKEL.  
 SHIELD: BRASS PLATING NICKEL ALLOY.

**MORETHANALL**  
 CONNECTORS  
 ASSEMBLIES

PART NO. MJF27ULB4-KF06A4GY-0808

RoHS Compliant

DWG NO. MJF27ULB4-KF06A4GY-0808

CHECKED BY CY

TOLERANCES ARE

DESCRIPTION:

FILE NO.

DRAWING BY

.X ± 0.2  
 .XX ±  
 .XXX ±  
 AWG

AREA

REVISIONS

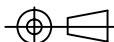
HK

DATE

UNIT / mm

SCALE 1:1

PROJECTION



煜倫股份有限公司