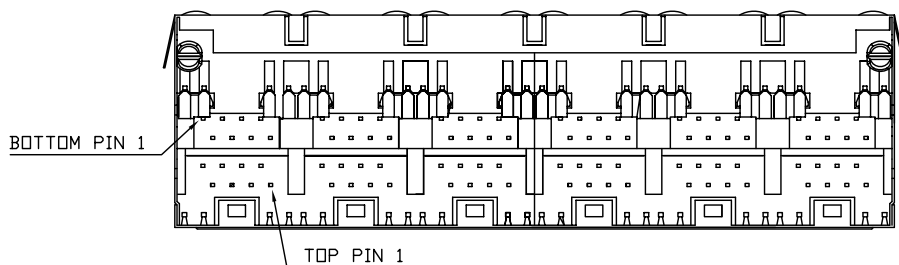
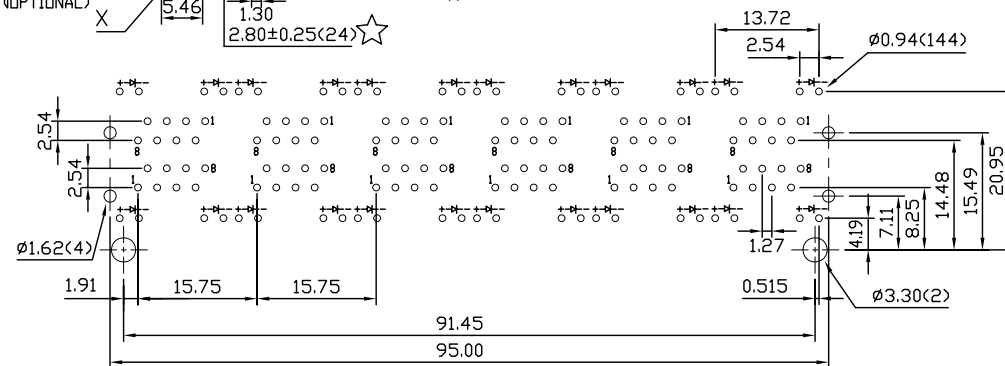
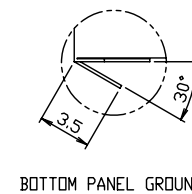
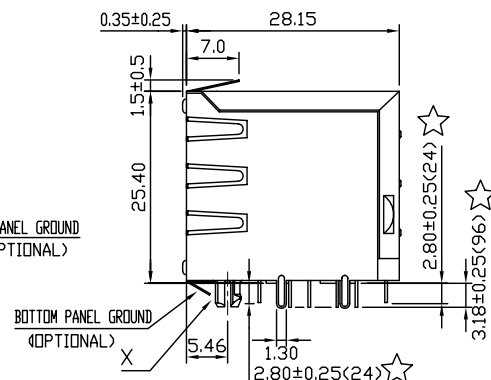
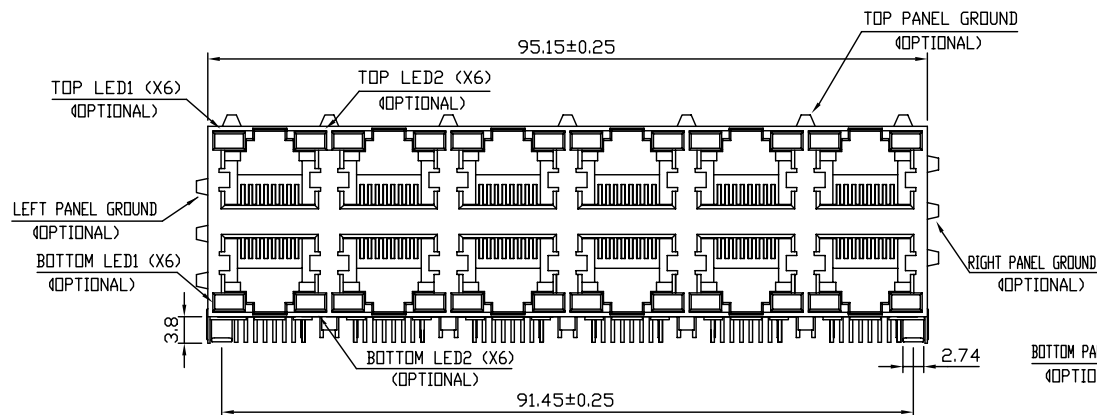


MATERIALS:

- BOTTOM HOUSING-DSM STANYL TE250F6 (NYLON-46)
HEAT DEFLECTION TEMP.290°
BLACK ODOR, UL94V-0
- TOP HOUSING-PBT POLYESTER UL94V-0
MIXED GLASS FIBER, BLACK ODOR.
- CONTACTS-0.35mm THICK PHOS-BRONZE PLATED
WITH HARD GOLD AND GOLD FLASH IN
SOLDER AREA.
- SHIELD-0.25mm THICK COPPER ALLOY,
PLATED WITH NICKEL.

CAVITY CONFORMS TO FCC RULES AND REGULATIONS
PART 68,SUBPART F.



PCB LAYOUT
Ref.

RoHS Compliant

TOLERANCES ARE

MORETHANALL
PCB CONNECTORS
Cable ASSEMBLIES
煜倫股份有限公司

DRAWING BY CY

X, ±

CHECKED BY GENIUS

.X ±

UNIT / mm

SCALE 1 : 1

.XX ±

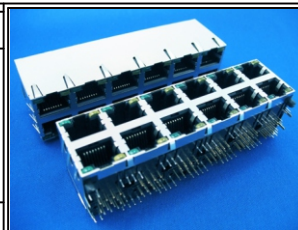
DATE

.XXX ±

ANG ±

SIZE A4

PJECTION



ORDER INFORMATION

MJF25ULB6-KF06B7xx-0808

SERIES

06u" GOLD
FULL SPRING
BLACK

8P8C

LED1 / LED2
GY:GREEN / YELLOW
YG:YELLOW / GREEN
REAR TAB 7.11mm

DESCRIPTION:2X6 STACKABLE MODULAR JACK RJ45, WITH LED'S AND SHIELD

www.morethanall.com