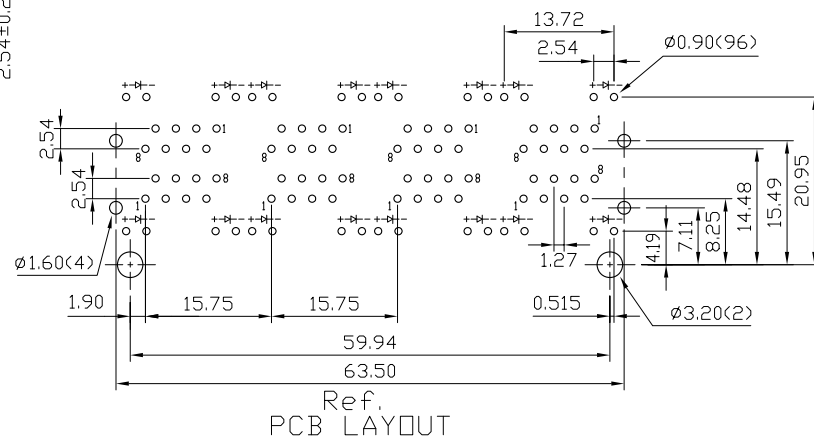


MATERIALS:

- BOTTOM HOUSING-DSM STANYL TE250F6 (NYLON-46)
HEAT DEFLECTION TEMP.290°
BLACK COLOR, UL94V-0
- TOP HOUSING-PBT POLYESTER UL94V-0
MIXED GLASS FIBER, BLACK COLOR.
- CONTACTS-0.35mm THICK PHOS-BRONZE PLATED
WITH HARD GOLD AND GOLD FLASH IN
SOLDER AREA.
- SHIELD-0.25mm THICK COPPER ALLOY,
PLATED WITH NICKEL.
CAVITY CONFIRMS TO FCC RULES AND REGULATIONS



RoHS Compliant

TOLERANCES ARE

MORETHANALL
PCB CONNECTORS
Cable ASSEMBLIES

DRAWING BY CY

X. ±

CHECKED BY GENIUS

.X ± 0.25

UNIT / mm

SCALE 1 : 1

.XX ± 0.13

DATE

.XXX ± 0.05

ANG ±

SIZE A4

PJECTION

照片框

ORDER INFORMATION

MJF25ULB4-KX06B7xxN46-0808

SERIES

8P8C

NYLON-46

LED1 / LED2

BLACK

GY:GREEN / YELLOW

NON SPRING

YG:YELLOW/GREEN

06u" GOLD

REAR TAB 7.11mm

DESCRIPTION: 2X4 STACKABLE MODULAR JACK RJ45, WITH LEDS AND SHIELD

煜倫股份有限公司

www.morethanall.com