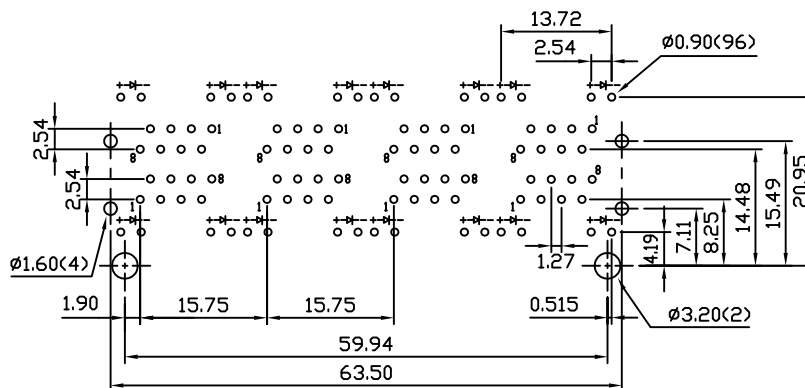


MATERIALS:

HOUSING-PBT POLYESTER UL-94V-0
 MIXED GLASS FIBER,
 STANDARD COLOR-BLACK
 CONTACTS-0.35mm THICK PHOS-BRONZE PLATED
 WITH HARD GOLD AND GOLD FLASH IN
 SOLDER AREA.
 SHIELD-0.25mm THICK COPPER ALLOY,
 PLATED WITH NICKEL.
 CAVITY CONFIRMS TO FCC RULES AND REGULATIONS



PCB LAYOUT

RoHS Compliant

TOLERANCES ARE

MORETHANALL
 PCB CONNECTORS
 Cable ASSEMBLIES

DRAWING BY CY
 CHECKED BY GENIUS
 UNIT / mm SCALE 1:1
 DATE

X.±
 .X±
 .XX±
 .XXX±
 ANG±

照片框

ORDER INFORMATION

MJF25ULB4-KF06B7RY-0808

SERIES | 8P8C
 LED1 / LED2
 RED / YELLOW
 REAR TAB 7.11mm
 BLACK | 06u" GOLD
 FULL SPRING

煜倫股份有限公司

www.morethanall.com

SIZE A4 PROJECTION

DESCRIPTION: 2X4(2PORTS) 8POSITION LED SIDE ENTRY SHIELDED PCB JACK