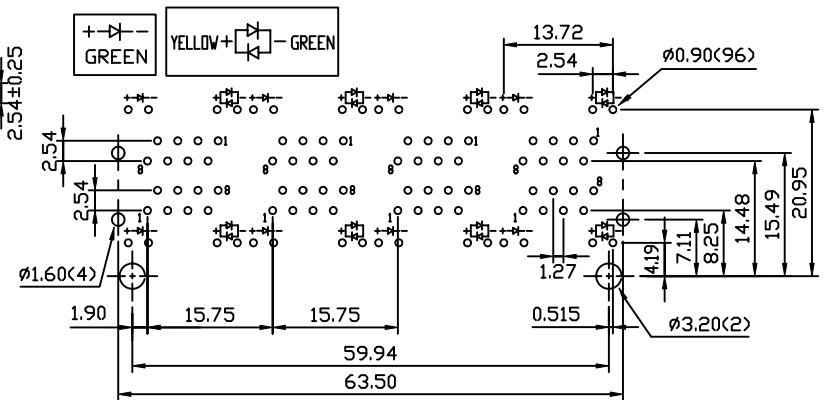
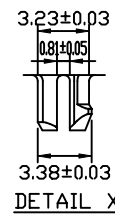
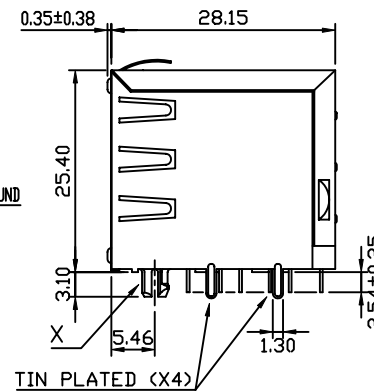
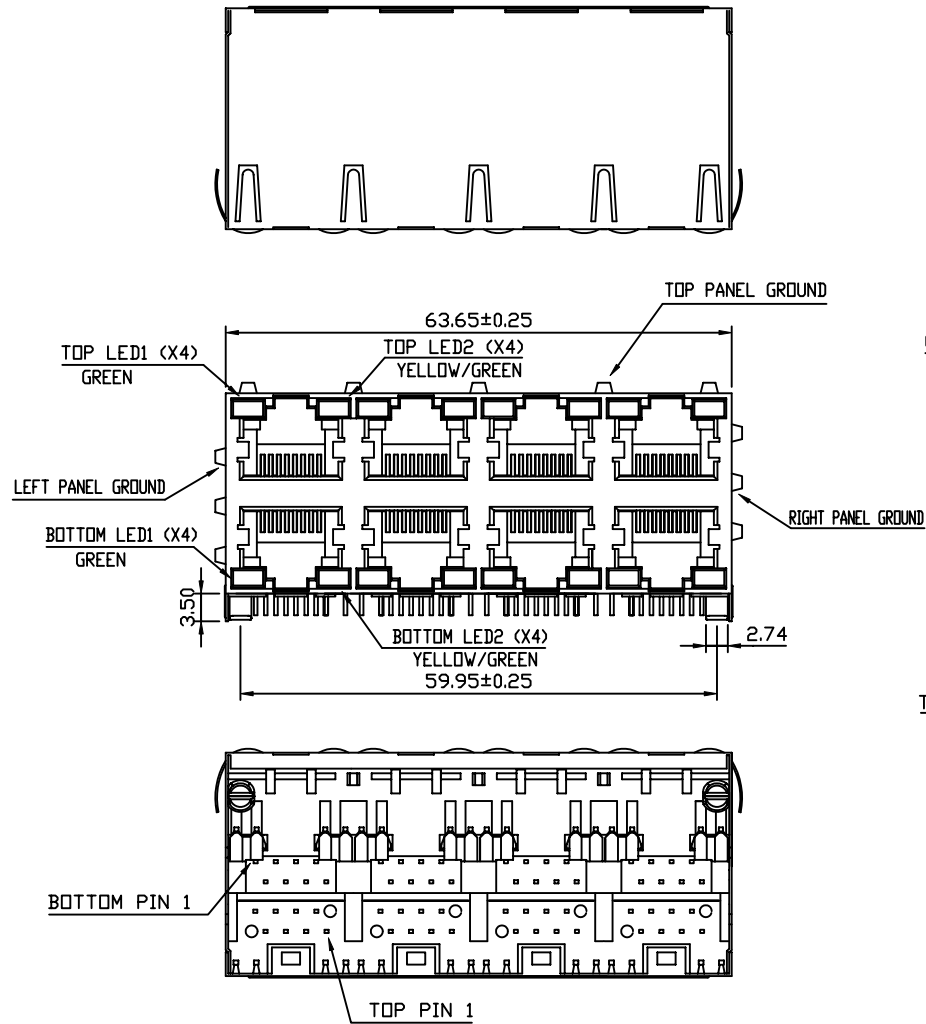


- MATERIALS:
- BOTTOM HOUSING-DSM STANYL TE250F6 (NYLON-46)  
HEAT DEFLECTION TEMP.290°  
BLACK COLOR, UL94V-0
  - TOP HOUSING-PBT POLYESTER UL94V-0  
MIXED GLASS FIBER, BLACK COLOR.
  - CONTACTS-0.35mm THICK PHOS-BRONZE PLATED  
WITH HARD GOLD AND TIN/LEAD IN  
SOLDER AREA.
  - SHIELD-0.25mm THICK COPPER ALLOY,  
PLATED WITH TIN-LEAD.
- CAVITY CONFIRMS TO FCC RULES AND REGULATIONS



PCB LAYOUT  
Ref.

RoHS Compliant

TOLERANCES ARE

**MORETHANALL**  
PCB CONNECTORS  
Cable ASSEMBLIES

DRAWING BY CY

X, ±

CHECKED BY GENIUS

.X ±

UNIT / mm

SCALE 1 : 1

.XX ±

DATE

.XXX ±

ANG ±

SIZE A4

PJECTION

照片框

ORDER INFORMATION

MJF25ULB4-KF06B7GXYG-0808

SERIES

8P8C

LED1 /

LED2

GREEN / YELLOW / GREEN

REAR TAB 7.11mm

BLACK

06u" GOLD

FULL SPRING

煜倫股份有限公司

www.morethanall.com

DESCRIPTION: 2X4 STACKABLE MODULAR JACK RJ45, WITH LEDS AND SHIELD