

NOTES:

ELECTRICAL:

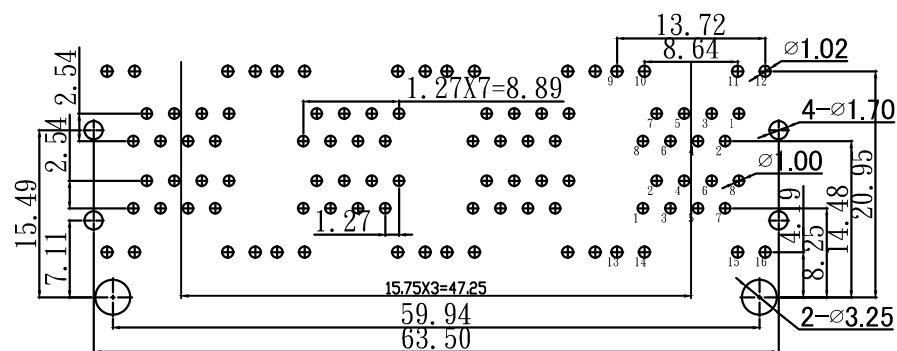
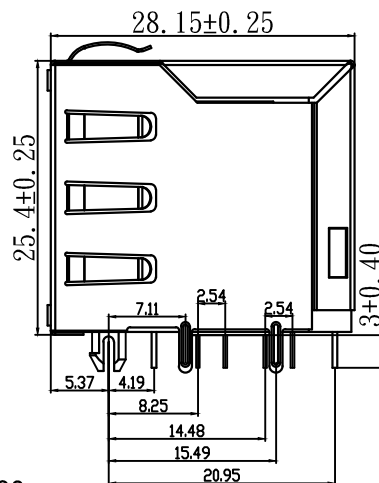
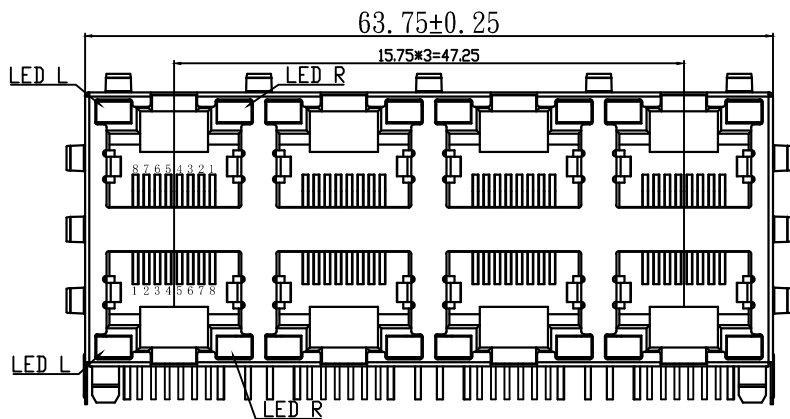
1. VOLTAGE RATING: 125V AC.
2. CURRENT RATING: 1.5A.
3. CONTACT RESISTANCE: 30 mΩ MAX.
4. INSULATION RESISTANCE: 500 MΩ MIN @ 500V DC.
5. DIELECTRIC STRENGTH: 1000V AC 50Hz or 60Hz, 1MIN.

MECHANICAL:

1. INSERT MATERIAL: UL94V-0.
2. CONTACT MATERIAL: C5191(QSn6.5-0.1)PHOSPHOR BRONZE T=0.35mm.
3. PLATING: 1. CONTACT AREA-SELECTIVE GOLD PLATING.
: 2. TAILS PLATING TIN OVER NICKEL.
4. SHIELD: 0.20mm THICKNESS H65Y BRASS NICKEL PLATED.
5. MATING/UNMATING FORCE: 2.2KG.F MAX.
6. RETENTION STRENGTH: 3.0KG.F MIN BETWEEN JACK AND PLUG.
7. OPERATING LIFE: 600 CYCLES MIN.

ENVIRONMENTAL:

1. STORAGE: -40°C ~ +85°C RELATIVE HUMIDITY<70%.
2. OPERATION: -40°C ~ +85°C.



PC Board Layout

RoHS Compliant

TOLERANCES ARE

MORETHANALL
PCB CONNECTORS
Cable ASSEMBLIES

DRAWING BY CY

CHECKED BY GENIUS

UNIT / mm

SCALE 1 : 1

DATE

SIZE A4

PJECTION

X ±
X ± 0.25
.XX ± 0.15
.XXX ± 0.05
ANG ±



ORDER INFORMATION

MJF25ULB4-KF03B7GG-0808-LF

SERIES

BLACK

3u" GOLD

REAR TAB 7.11mm

8P8C

LED1/GREEN

LED2/GREEN

FULL SPRING

LEADFREE

煜倫股份有限公司

www.morethanall.com

DESCRIPTION: