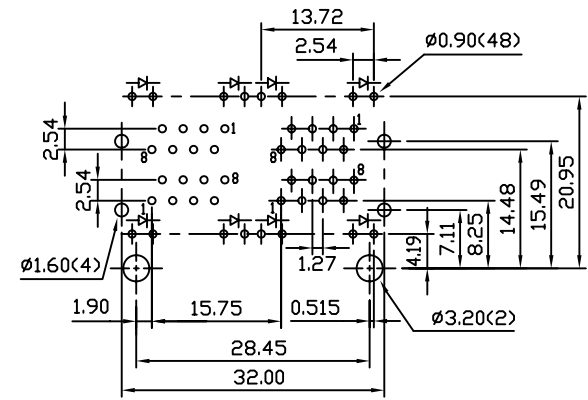


MATERIALS:  
 · HOUSING-DSM STANYL TE250F6 (NYLON-46)  
 HEAT DEFLECTION TEMP.290°  
 BLACK COLOR,UL94V-0  
 · CONTACTS-0.35mm THICK PHOS-BRONZE PLATED  
 WITH HARD GOLD AND TIN/LEAD IN  
 SOLDER AREA.  
 · SHIELD-0.25mm THICK COPPER ALLOY,  
 PLATED WITH TIN-LEAD.  
 CAVITY CONFIRMS TO FCC RULES AND REGULATIONS  
 PART 68,SUBPART F.



PC Board Layout  
Ref.

RoHS Compliant

TOLERANCES ARE

**MORETHANALL**  
PCB CONNECTORS  
Cable ASSEMBLIES

DRAWING BY CY

X, ±  
.X ± 0.25  
.XX ± 0.13  
.XXX ± 0.05  
ANG ±

CHECKED BY GENIUS

UNIT / mm

SCALE 1 : 1

DATE

SIZE A4

PJECTION

照片框

ORDER INFORMATION

MJF25ULB2-KF06B7YG-0808-LF

SERIES

LEADFREE

8P8C

YELLOW/GREEN

REAR TAB 7.11mm

BLACK

06u" GOLD  
FULL SPRING

煜倫股份有限公司

www.morethanall.com

DESCRIPTION: 2X2 STACKABLE MODULAR JACK 8PDS. 8 CONTACTS, WITH LEDS AND SHIELD