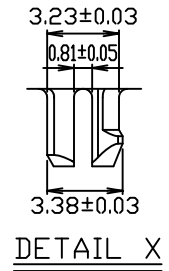
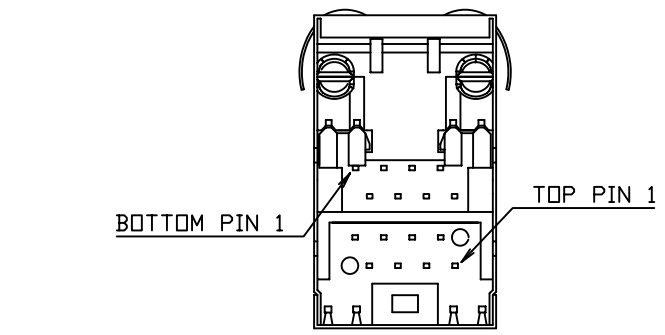
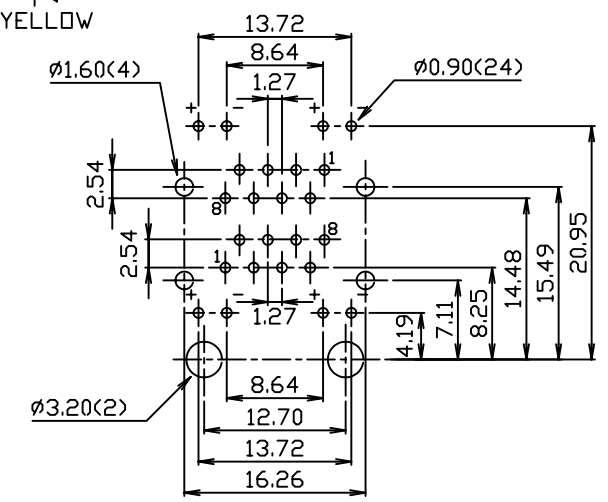
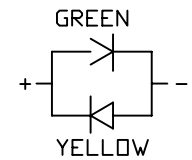
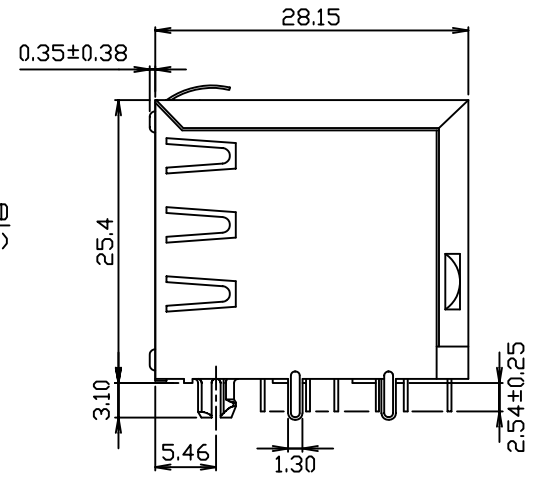
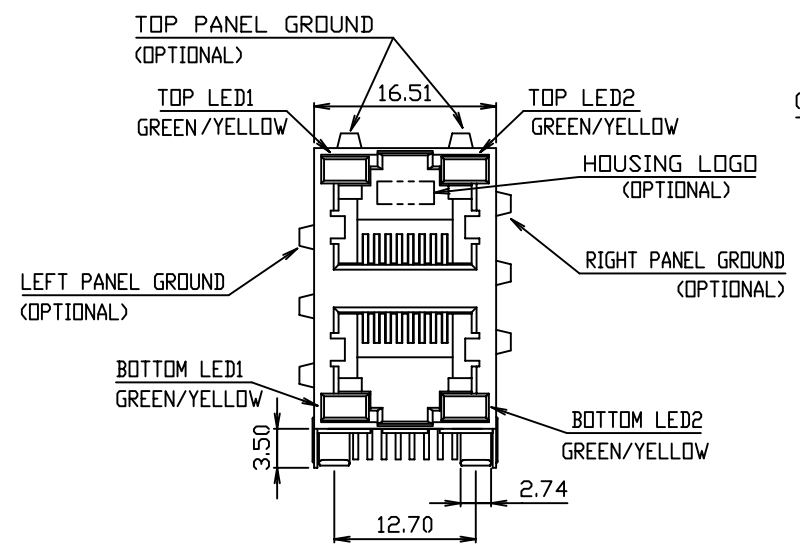


- MATERIALS:**
- BOTTOM HOUSING-DSM STANYL TE250F6 (NYLON-46)
HEAT DEFLECTION TEMP.290°
BLACK COLOR, UL94V-0
 - TOP HOUSING-PBT POLYESTER UL94V-0
MIXED GLASS FIBER, BLACK COLOR.
 - CONTACTS-0.35mm THICK PHOS-BRONZE PLATED
WITH HARD GOLD AND TIN/LEAD IN
SOLDER AREA.
 - SHIELD-0.25mm THICK COPPER ALLOY,
PLATED WITH TIN-LEAD.
- CAVITY CONFORMS TO FCC RULES AND REGULATIONS
PART 68,SUBPART F.

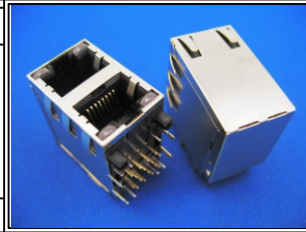


RoHS Compliant

TOLERANCES ARE

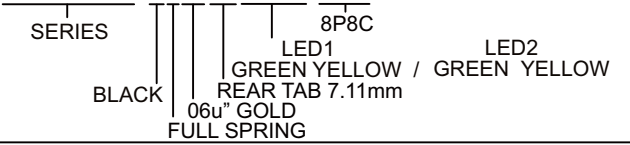
MORETHANALL
PCB CONNECTORS
Cable ASSEMBLIES
煜倫股份有限公司
www.morethanall.com

DRAWING BY CY		X, ± .X ± .XX ± .XXX ± ANG ±
CHECKED BY GENIUS		
UNIT / mm	SCALE 1 : 1	
DATE		
SIZE A4	PJECTION	



ORDER INFORMATION

MJF25ULB1-KF06B7GYGY-0808



DESCRIPTION: 2X1 STACKABLE MODULAR JACK RJ45, WITH LED'S AND SHIELD