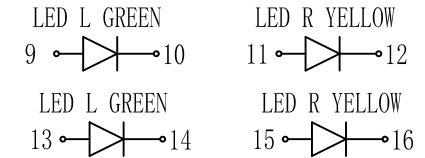
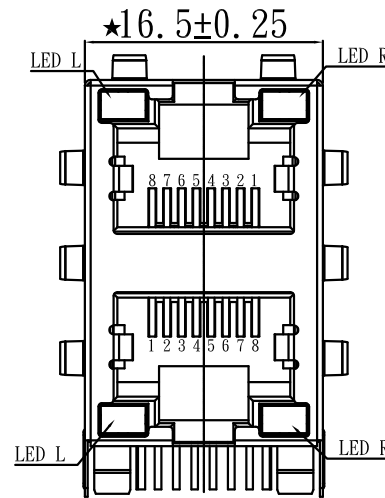
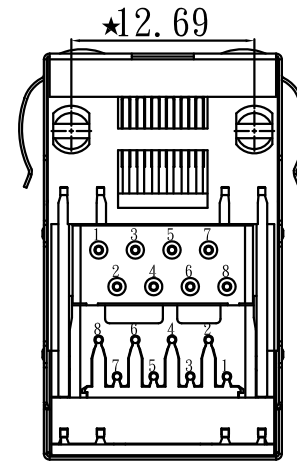
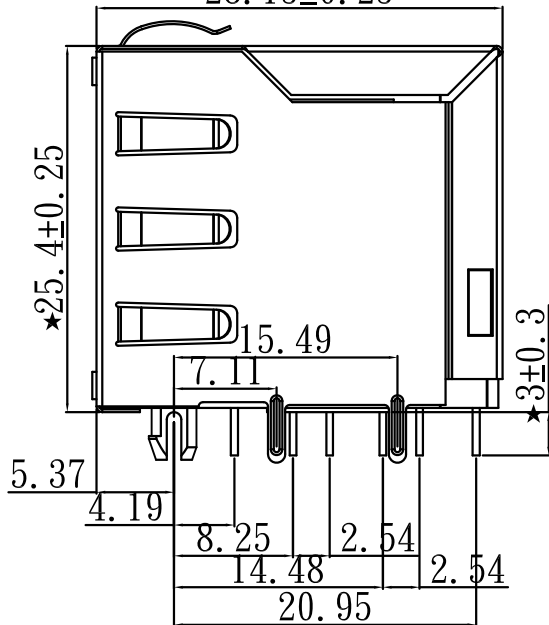


PC Board Layout
★ 28.15±0.25



NOTES:

ELECTRICAL:

1. VOLTAGE RATING: 125V AC.
2. CURRENT RATING: 1.5A.
3. CONTACT RESISTANCE: 30 mΩ MAX.
4. INSULATION RESISTANCE: 500 MΩ MIN @ 500V DC.
5. DIELECTRIC STRENGTH: 1000V AC 50Hz or 60Hz, 1MIN.

MECHANICAL:

1. INSERT MATERIAL: UL94V-0.
2. CONTACT MATERIAL: DIAMETER 0.46mm C51000(QSn4-0.3) PHOSPHO BRONZE GOLD PLATING OVER NICKEL.
3. SHIELD: 0.20mm THICKNESS H65Y BRASS NICKEL PLATED.
4. MATING/UNMATING FORCE: 2.2KG.F MAX.
5. RETENTION STRENGTH: 3.0KG.F MIN BETWEEN JACK AND PLUG.
6. OPERATING LIFE: 750 CYCLES MIN.

ENVIRONMENTAL:

1. STORAGE: -40°C ~ +85°C RELATIVE HUMIDITY<70%.
2. OPERATION: -40°C ~ +85°C.

Remark:

1. The mark with★ is the key inspection dimension for QC.

RoHS Compliant

TOLERANCES ARE

MORETHANALL
PCB CONNECTORS
Cable ASSEMBLIES

DRAWING BY CY

X, ±

CHECKED BY GENIUS

.X ± 0.25

UNIT / mm

SCALE 1 : 1

.XX ± 0.15

DATE

.XXX ± 0.05

ANG ±

SIZE A4

P PROJECTION

照片框

ORDER INFORMATION

MJF25ULB1-KF03B7GY-0808

SERIES

8P8C

BLACK | | | | | | | |
LED L LED R
GREEN / YELLOW
REAR TAB 7.11mm
03u" GOLD
FULL SPRING

煜倫股份有限公司

www.morethanall.com

DESCRIPTION: