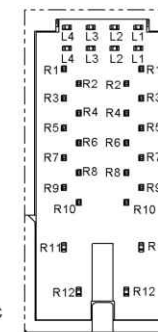
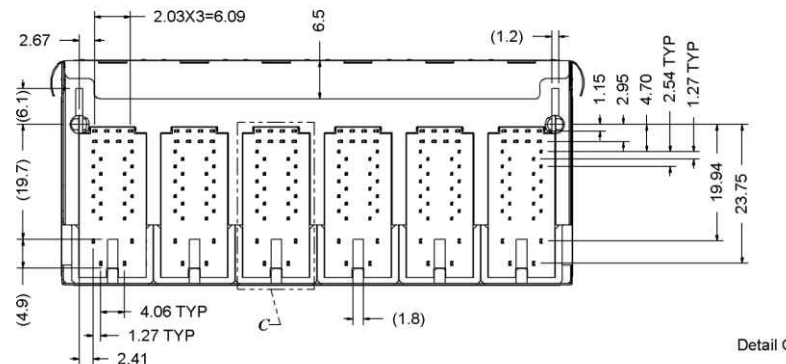
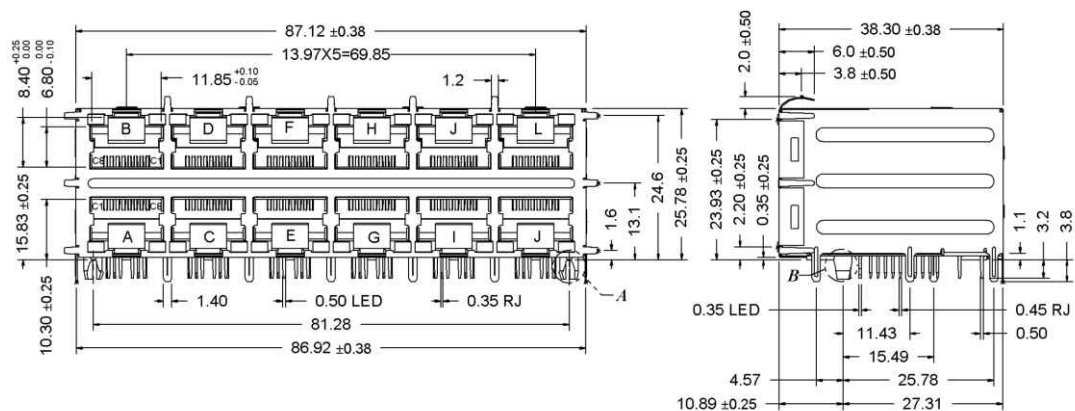
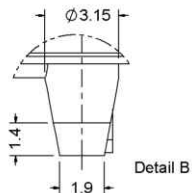
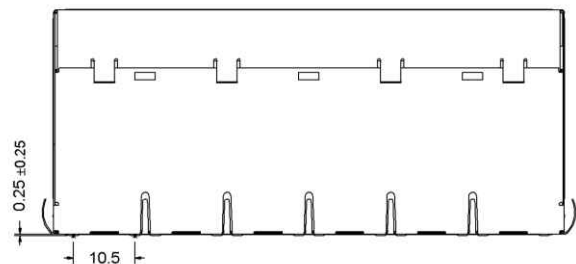
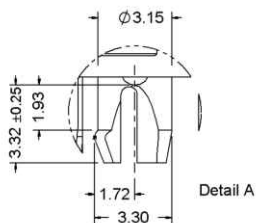
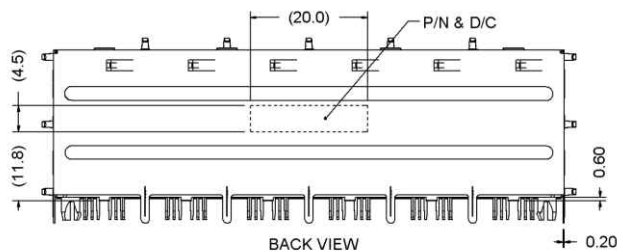


I. MECHANICAL DIMENSION

1.1 Product Dimension



RoHS Compliant

TOLERANCES ARE

MORETHANALL
PCB CONNECTORS
Cable ASSEMBLIES

DRAWING BY CY
CHECKED BY GENIUS
UNIT / mm SCALE 1 : 1
DATE

X, ±
.X ±
.XX ±
.XXX ±
ANG ±

照片框

ORDER INFORMATION

MJF25T910ULB6-KF06A4GOYX-0808

SERIES

8P8C
LEFT LED / RIGHT LED
GREEN, ORANGE / YELLOW, X
FRONT TAB 4.57mm
GOLD 06u"
FULL SPRING

煜倫股份有限公司

www.morethanall.com

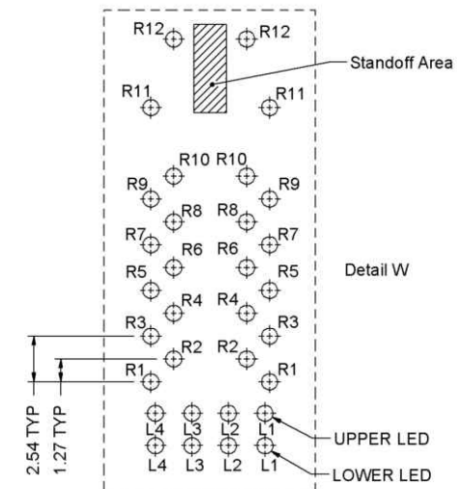
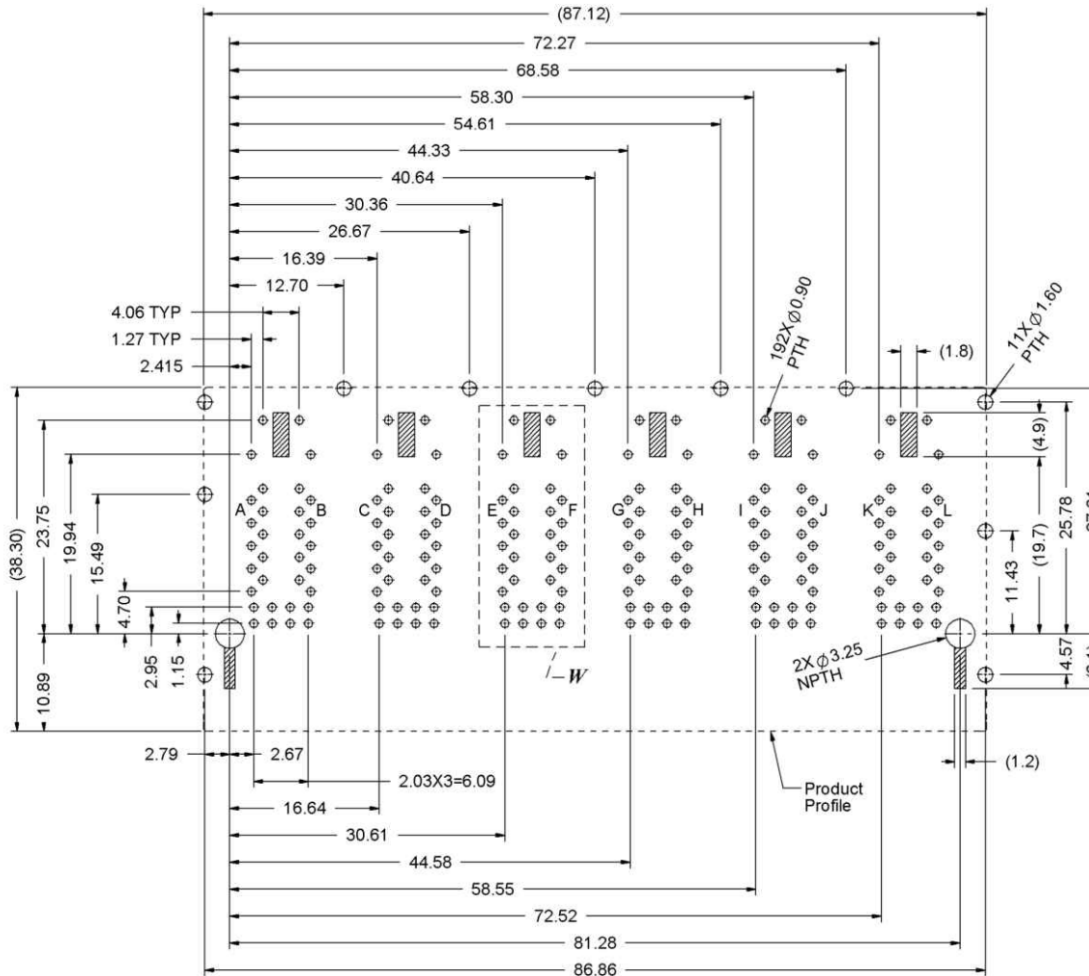
SIZE A4 PPROJECTION

DESCRIPTION:

1.2 Recommended PCB Layout

Component Side of Board

All dimension tolerance are $\pm 0.05\text{mm}$ unless otherwise specified



RoHS Compliant

TOLERANCES ARE

MORETHANALL
PCB CONNECTORS
Cable ASSEMBLIES

DRAWING BY CY

X, \pm
.X \pm
.XX \pm
.XXX \pm
ANG \pm

CHECKED BY GENIUS

UNIT / mm SCALE 1 : 1

DATE

SIZE A4

PJECTION

照片框

ORDER INFORMATION

MJF25T910ULB6-KF06A4GOYX-0808

SERIES

8P8C

LEFT LED / RIGHT LED
GREEN, ORANGE / YELLOW, X
FRONT TAB 4.57mm
GOLD 06u"
FULL SPRING

DESCRIPTION:

煜倫股份有限公司

www.morethanall.com

2. REQUIREMENTS

2.1 Design and Construction

Product shall be of design, construction and physical dimensions specified on applicable.

2.2 Material

2.2.1 Terminal Parts (Underplating : 30μ"min. Nickel overall)

2.2.1.1 RJ Terminal : PH. Bronze, Thickness=0.30mm

Finish : Contact Area : 30μ" Gold

2.2.1.2 Input Terminal : Brass, Thickness=0.35mm

Finish : 100μ" min. Tin

2.2.1.3 Case Terminal : Brass, Thickness=0.30mm

Finish : 100μ" min. Tin

2.2.2 Plastic Parts <UL94V-0>

2.2.2.1 Housing : High Temperature Thermoplastic, Black

2.2.2.2 Case : High Temperature Thermoplastic, Black

2.2.2.3 Spacer : Thermoplastic, Black

2.2.2.4 Terminal Cover: Thermoplastic, Black

2.2.2.5 Terminal Base : Thermoplastic, Black

2.2.2.6 Insert : Thermoplastic, Black

2.2.2.7 Cover : Thermoplastic, Black

2.2.2.8 Light Pipe : PC, Transparent

2.2.3 Shield Parts

2.2.3.1 Front Shield : Stainless, Thickness=0.20mm, unplating

2.2.3.2 Back Shield : Stainless, Thickness=0.20mm, Pre-soldering

2.3 Operating and Storage Temperature

Operating Temperature : 0°C to +70°C

Storage Temperature : -40°C to +85°C

2.4 RJ45 specifications

Insulation Resistance 500MΩ min.

Insertion force with the latch depressed 22N max

Removal force with the latch depressed 44N max

Locking Force of Plug Latch : 50N min. @ 60+/-5 sec

Durability : 2500 cycles

2.5 Performance and Test Description

Product is designed to meet electrical, mechanical and environmental performance requirements specified in below table. All tests are performed at ambient environmental conditions per MIL-STD-1344A and EIA-364 unless otherwise specified.

2.6 Packaging and Packing

All parts shall be packaged and packed to protect against physical damage, corrosion and deterioration during shipment and storage.

RoHS Compliant

TOLERANCES ARE

MORETHANALL
PCB CONNECTORS
Cable ASSEMBLIES
煜倫股份有限公司

DRAWING BY CY

CHECKED BY GENIUS

UNIT / mm SCALE 1 : 1

DATE

SIZE A4

X, ±
.X ±
.XX ±
.XXX ±
ANG ±

PJECTION 

照片框

ORDER INFORMATION

MJF25T910ULB6-KF06A4GOYX-0808

SERIES

8P8C

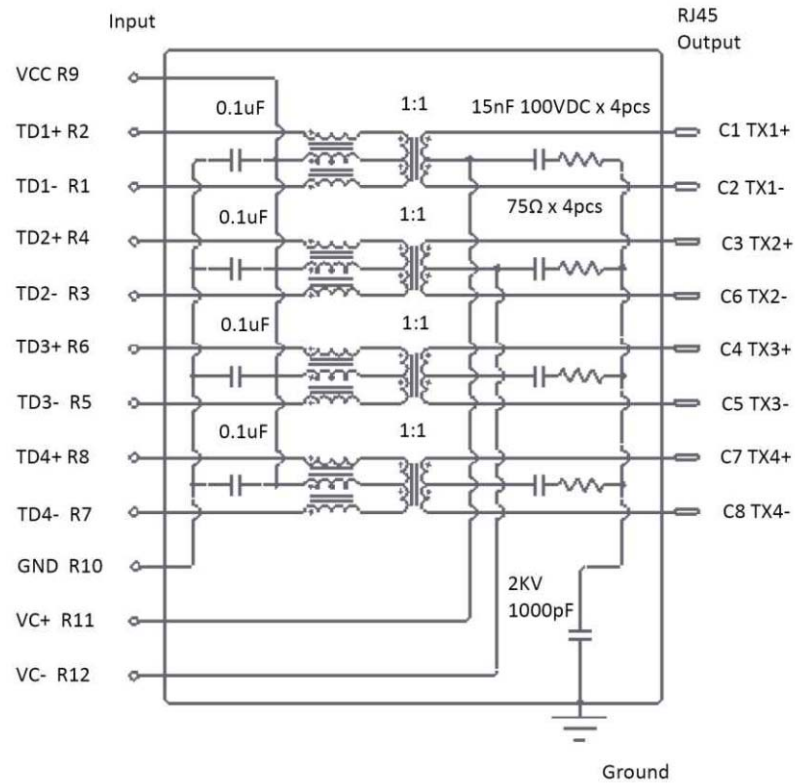
BLACK | | | | | | | |
LEFT LED / RIGHT LED
GREEN, ORANGE / YELLOW, X
FRONT TAB 4.57mm
GOLD 06u"
FULL SPRING

DESCRIPTION:

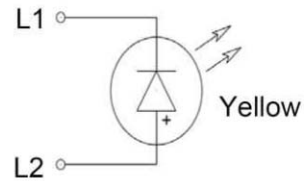
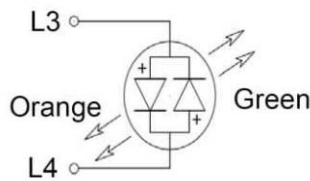
www.morethanall.com

3. ELECTRICAL CHARACTERISTICS

3.1 Schematic



Emitting Color	λ_p (nm)	$V_f @ I_f=20mA$	$I_r @ V_r=5V$
Green	565	1.7 ~2.6 V	10 μ A max.
Yellow	585	1.7 ~2.6 V	10 μ A max.
Orange	610	1.7 ~2.6 V	10 μ A max.



MORETHANALL
PCB CONNECTORS
Cable ASSEMBLIES

煜倫股份有限公司

www.morethanall.com

RoHS Compliant

DRAWING BY CY

CHECKED BY GENIUS

UNIT / mm SCALE 1 : 1

DATE

SIZE A4

TOLERANCES ARE

X. \pm

.X \pm

.XX \pm

.XXX \pm

ANG \pm

PJECTION

照片框

ORDER INFORMATION

MJF25T910ULB6-KF06A4GOYX-0808

SERIES

8P8C

LEFT LED / RIGHT LED
GREEN, ORANGE / YELLOW, X
FRONT TAB 4.57mm
GOLD 06u"
FULL SPRING

DESCRIPTION:

3.2 Transmitter filter & Receiver filter

Type : Balance low pass 100Ω impedance

Insertion loss :	1~100 MHz	-1.0dB max.	
Return loss :	1~30 MHz	-18dB min.	load 100Ω
	30~60MHz	-16dB min.	load 100Ω
	60~80MHz	-12dB min.	load 100Ω
	80~100MHz	-10dB min.	load 100Ω

3.3 Common Mode Rejection

@ 1~100 MHz -30dB min.

3.4 Cross Talk

@ 1~100 MHz -30dB min.

3.5 Inductance @ 100KHz, 0.1V, 8mA DC BIAS

Input (R2-R1), Input(R4-R3), Input (R6-R5), Input(R8-R7): 350 μH min.

3.6 HiPot Test

Input(R2-R1)	To Output(C1-C2) : 1500Vac 60s or 2250Vdc 60s
Input(R4-R3)	To Output(C3-C6) : 1500Vac 60s or 2250Vdc 60s
Input(R6-R5)	To Output(C4-C5) : 1500Vac 60s or 2250Vdc 60s
Input(R8-R7)	To Output(C7-C8) : 1500Vac 60s or 2250Vdc 60s

3.7 Balanced DC line current

350mA MAX @57VDC continuous

500mA MAX @57VDC for 200 milliseconds

RoHS Compliant

TOLERANCES ARE

MORETHANALL
PCB CONNECTORS
Cable ASSEMBLIES

煜倫股份有限公司

www.morethanall.com

DRAWING BY CY

CHECKED BY GENIUS

UNIT / mm

SCALE 1 : 1

DATE

SIZE A4

X, ±
.X ±
.XX ±
.XXX ±
ANG ±

P PROJECTION 

照片框

ORDER INFORMATION

MJF25T910ULB6-KF06A4GOYX-0808

SERIES

BLACK

GOLD 06u"

FRONT TAB 4.57mm
FULL SPRING

8P8C

LEFT LED / RIGHT LED
GREEN, ORANGE / YELLOW, X

DESCRIPTION: