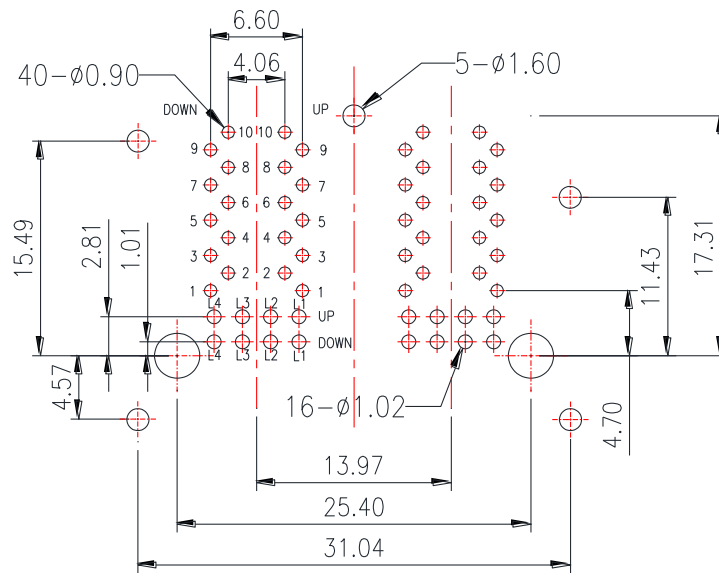
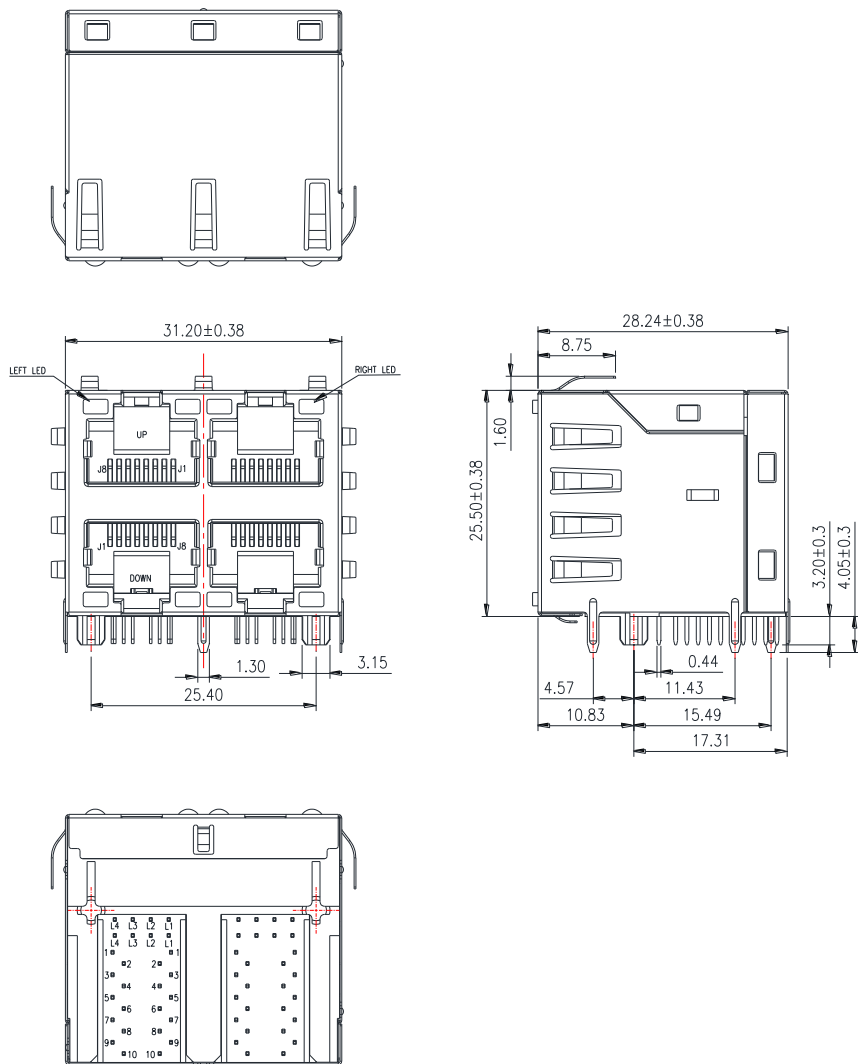


一、Mechanical Dimensions



SUGGESTED PCB PAD LAYOUT
COMPONENT SIDE VIEW



煜倫股份有限公司

www.morethanall.com

RoHS Compliant

DRAWING BY CY

CHECKED BY GENIUS

UNIT / mm SCALE 1 : 1

DATE

SIZE A4

TOLERANCES ARE

X ±

.X ±

.XX ±

.XXX ±

ANG ±

PJECTION

照片框

ORDER INFORMATION

MJF25T910ULB2-KF06A4GY-0808

SERIES

8P8C

GREEN / YELLOW

FRONT TAB 4.57mm

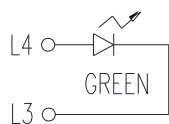
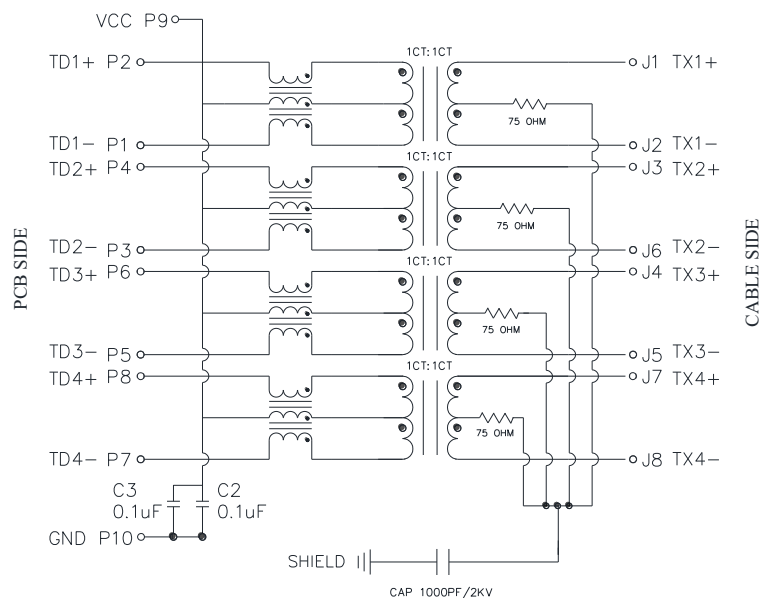
GOLD 06u"

FULL SPRING

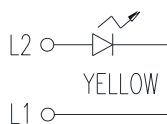
BLACK

DESCRIPTION: RJ45 1000 BASE-T 2X2 JACK WITH MAGNETIC MODULE

二、Schematics



LEFT LED



RIGHT LED

Emitting Color	λ_p (nm)	V_f @ $I_f=20mA$	I_r @ $V_r=5V$
GREEN	570	1.7 ~2.6 V	10 μ A max
YELLOW	590	1.7 ~2.6 V	10 μ A max

三、ELECTRICAL SPECIFICATIONS@25°C:

1. Turn Ratio($\pm 5\%$): 1CT:1CT
2. Pri Inductance(100KHz/0.1V@8mA):350uH MIN.
3. DCR:1.2 Ω MAX
4. Insertion Loss(dB MAX):-1.0dB (1-100MHz), -1.2dB (100-125MHz)
5. Return Loss(dB MIN): -16dB(1-40MHz),-12dB(40-60MHz) ,-10dB(60-80MHz)
-8dB(80-100MHz)
6. Cross talk(dB MIN):-30dB(1-100MHz)
7. CMR(dB MIN): -30dB(1-100MHz)
8. HI-POT(Pri to Sec): 2250VDC/0.5mA/2Sec
9. Operating Temperature: -40°C TO +85°C
10. RoHS compliance: YES

RoHS Compliant

TOLERANCES ARE

MORETHANALL
PCB CONNECTORS
Cable ASSEMBLIES

DRAWING BY CY

CHECKED BY GENIUS

UNIT / mm SCALE 1 : 1

DATE

SIZE A4

PJECTION

X, \pm
.X \pm
.XX \pm
.XXX \pm
ANG \pm

照片框

ORDER INFORMATION

MJF25T910ULB2-KF06A4GY-0808

SERIES

8P8C
GREEN / YELLOW
FRONT TAB 4.57mm
GOLD 06 μ "
FULL SPRING
BLACK

煜倫股份有限公司

www.morethanall.com

DESCRIPTION: RJ45 1000 BASE-T 2X2 JACK WITH MAGNETIC MODULE

四、Mechanicals

- 1.THE PRODUCT IS ROHS COMPLIANT.
- 2.ALL DIMENSIONS FOLLOW :
 - FCC SUBPART F, 68,500, FIGURE (C)(2)(I) & (C)(2)(II) & (C)(3)(I) IEC 60603-7
 - ALL PLUGS MUST BE MEETING THE REQUIREMENTS OF PLUG GO & NO-GO GAUGE.
- 3.GAUGE FOLLOW : FCC SUBPART F, 68,500, FIGURE (C)(4)(I) & (C)(5)(I)
 - THERE MUST BE NO DAMAGE TO HOUSING AND LOCKING LATCH.
 - THERE MUST BE NO NICKS AND CUTS IN CABLE.
 - DURABILITY : 750 CYCLES GENERALLY
- 4.PART CAN BE RECOMMENED FOR REFLOW SOLDERING PROCESS.
 - PEAK REFLOW SOLDERING TEMPERATURE IS 260° C MAX,10SECONDS MAX.
- 5.MATERIAL:
 - 5.1 HOUSING: HIGH TEMPERATURE THERMOPLASTIC LCP, FLAMMABILITY RATING ,UL 94V-0; COLOR:BLACK.
 - 5.2 SHELL: BRASS C2680, THICKNESS=0.20mm.PLATING NICKEL 30u"Min;
 - 5.3 RJ TERMINAL: HIGH TEMPERATURE THERMOPLASTIC LCP,COLOR:BLACK;
 - PIN:THICKNESS=0.30mm.PHOS-BRONZE C5210.
 - PLATING: 50u" MIN NICKEL UNDERPLATING ALL AREA.
 - 100u" MIN TIN ON SOLDER TAIL.
 - 30u" GOLD ON CONTACT AREA.
 - 5.4 INPUT TERMINAL: HIGH TEMPERATURE THERMOPLASTIC LCP COLOR:BLACK;
 - PHY PIN:THICKNESS=0.30mm. BRASS C2680.
 - LED PIN:THICKNESS=0.45mm. BRASS C2680.
 - PLATING: 50u" MIN NICKEL UNDERPLATING ALL AREA.
 - 100u" MIN TIN ON SOLDER TAIL.
 - 5.5 LIGHT PIPE : PC, TRANSPARENT

五、Packaging

1. packaging unit : 35PCS/tray
2. outer carton unit: 210 pcs/6tray /box

RoHS Compliant

TOLERANCES ARE

MORETHANALL
PCB CONNECTORS
Cable ASSEMBLIES
煜倫股份有限公司

DRAWING BY CY

X, ±

CHECKED BY GENIUS

.X ±

UNIT / mm SCALE 1 : 1

.XX ±

DATE

.XXX ±

ANG ±

www.morethanall.com

SIZE A4

PPOJECTION 

照片框

ORDER INFORMATION

MJF25T910ULB2-KF06A4GY-0808

SERIES

|

|

|

|

|

|

|

|

|

|

8P8C

GREEN / YELLOW

FRONT TAB 4.57mm

GOLD 06u"

FULL SPRING

BLACK

DESCRIPTION: RJ45 1000 BASE-T 2X2 JACK WITH MAGNETIC MODULE