

Recommended PCB Layout

RoHS Compliant

TOLERANCES ARE

**MORETHANALL**  
 PCB CONNECTORS  
 Cable ASSEMBLIES  
**煜倫股份有限公司**  
 www.morethanall.com

DRAWING BY CY  
 CHECKED BY GENIUS  
 UNIT / mm SCALE 1 : 1  
 DATE  
 SIZE A4 PPROJECTION

X, ±  
 .X ± 0.38  
 .XX ± 0.25  
 .XXX ±  
 ANG ±



ORDER INFORMATION

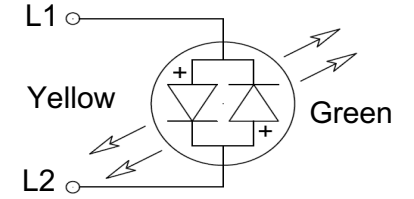
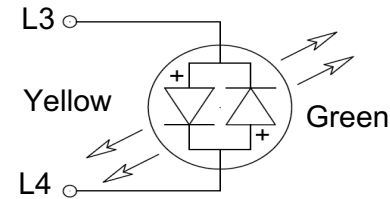
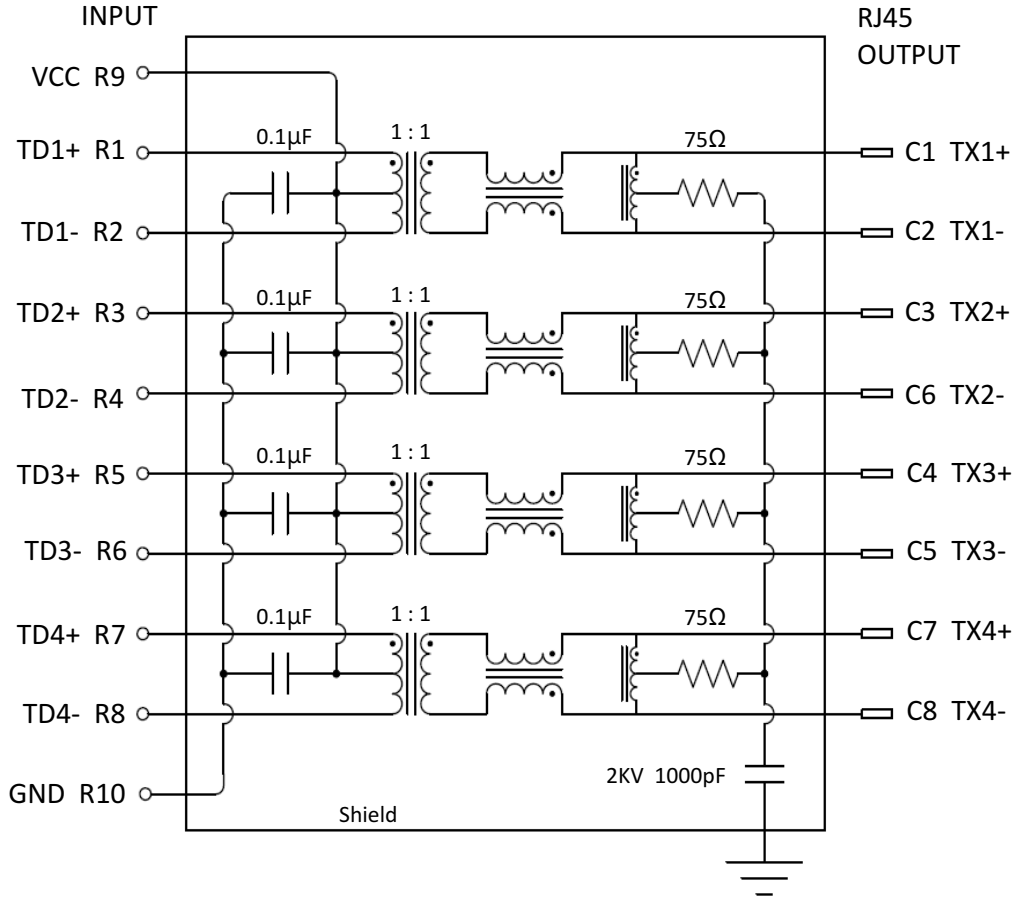
MJF25T910ULB1-KF30A4GYGY-0808

SERIES

8P8C  
 LEFT LED / RIGHT LED  
 GREEN/YELLOW / GREEN/YELLOW  
 FRONT TAB 4.57mm  
 GOLD 30u"  
 FULL SPRING

DESCRIPTION:

# ELECTRICAL CHARACTERISTICS



| Emitting Color | $\lambda_p$ (nm) | $V_f @ I_f=20mA$ | $I_r @ V_r=5V$ |
|----------------|------------------|------------------|----------------|
| Green          | 565              | 1.7 ~ 2.6 V      | 10µA max.      |
| Yellow         | 585              | 1.7 ~ 2.6 V      | 10µA max.      |

RoHS Compliant

TOLERANCES ARE

**MORETHANALL**  
PCB CONNECTORS  
Cable ASSEMBLIES

DRAWING BY CY

X, ±

CHECKED BY GENIUS

.X ± 0.38

UNIT / mm

SCALE 1 : 1

.XX ± 0.25

DATE

.XXX ±

ANG ±

照片框

ORDER INFORMATION

MJF25T910ULB1-KF30A4GYGY-0808

SERIES

BLACK

FRONT TAB 4.57mm

GOLD 30u"

FULL SPRING

8P8C

LEFT LED /

GREEN/YELLOW

RIGHT LED

GREEN/YELLOW

煜倫股份有限公司

www.morethanall.com

SIZE A4

PPOJECTION

DESCRIPTION:

1. Transmitter filter & Receiver filter

Type : Balance low pass 100Ω impedance

Insertion loss : 1~100 MHz -1.0dB max.

Return loss : 1~30 MHz -18dB min. load 100Ω

30~60MHz -16dB min. load 100Ω

60~80MHz -12dB min. load 100Ω

80~100MHz -10dB min. load 100Ω

2. Common Mode Rejection

@ 1~100 MHz -30dB min.

3. Cross Talk

@ 1~100 MHz -30dB min.

4. Inductance @ 100KHz, 0.1V, 8mA DC BIAS

Input (R1-R2), Input(R3-R4), Input (R5-R6), Input(R7-R8): 350 μH min.

5. HiPot Test

Input(R1-R2) To Output(C1-C2) : 1500Vac 60s or 2250Vdc 60s

Input(R3-R4) To Output(C3-C6) : 1500Vac 60s or 2250Vdc 60s

Input(R5-R6) To Output(C4-C5) : 1500Vac 60s or 2250Vdc 60s

Input(R7-R8) To Output(C7-C8) : 1500Vac 60s or 2250Vdc 60s

RoHS Compliant

TOLERANCES ARE

**MORETHANALL**  
PCB CONNECTORS  
Cable ASSEMBLIES

煜倫股份有限公司

www.morethanall.com

DRAWING BY CY

CHECKED BY GENIUS

UNIT / mm SCALE 1 : 1

DATE

SIZE A4

X, ±  
.X ± 0.38  
.XX ± 0.25  
.XXX ±  
ANG ±

P PROJECTION

照片框

ORDER INFORMATION

MJF25T910ULB1-KF30A4GYGY-0808

SERIES

8P8C

LEFT LED / RIGHT LED  
GREEN/YELLOW GREEN/YELLOW

BLACK FRONT TAB 4.57mm

GOLD 30u"  
FULL SPRING

DESCRIPTION: