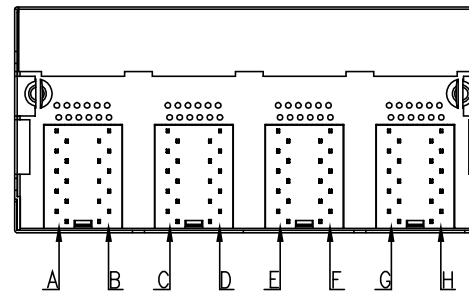
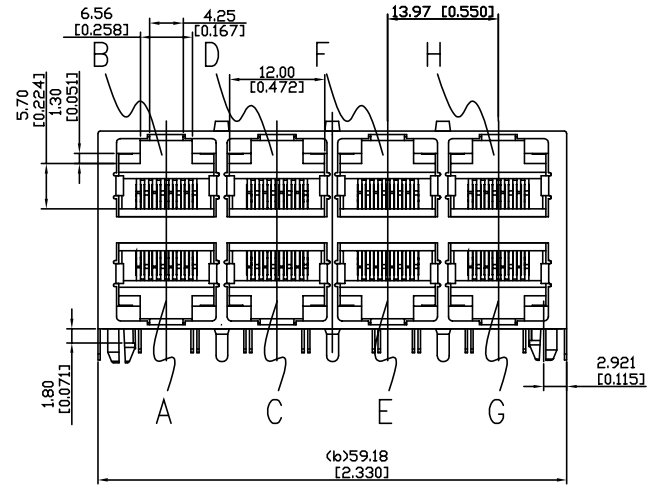
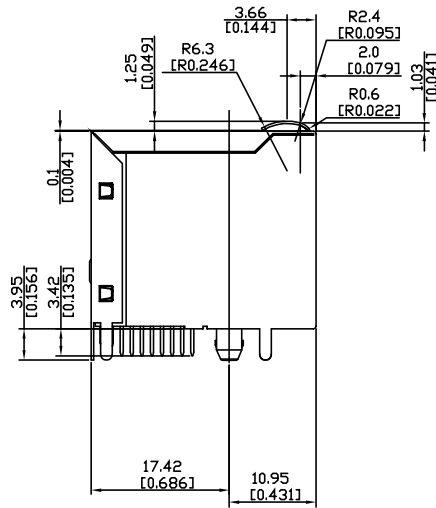
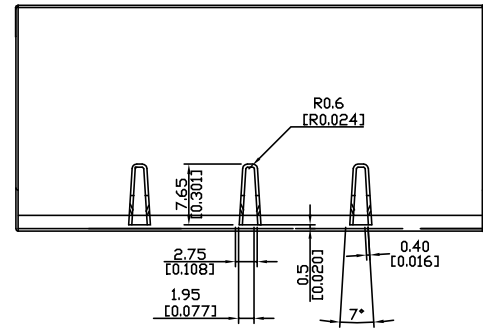


2X4 Port RJ-45 Jack With 10/100Base-T Magnetics Modules



RoHS Compliant

TOLERANCES ARE

MORETHANALL
PCB CONNECTORS
Cable ASSEMBLIES

DRAWING BY CY
CHECKED BY GENIUS
UNIT / mm SCALE 1 : 1
DATE

X. ±
.X ±
.XX ±
.XXX ±
ANG ±

照片框

ORDER INFORMATION

MJF25T27B4-KT06A4-0808-LF

SERIES

LEADFREE

8P8C

FRONT TAB 4.57mm

GOLD 06u"

TOP SPRING

BLACK

煜倫股份有限公司

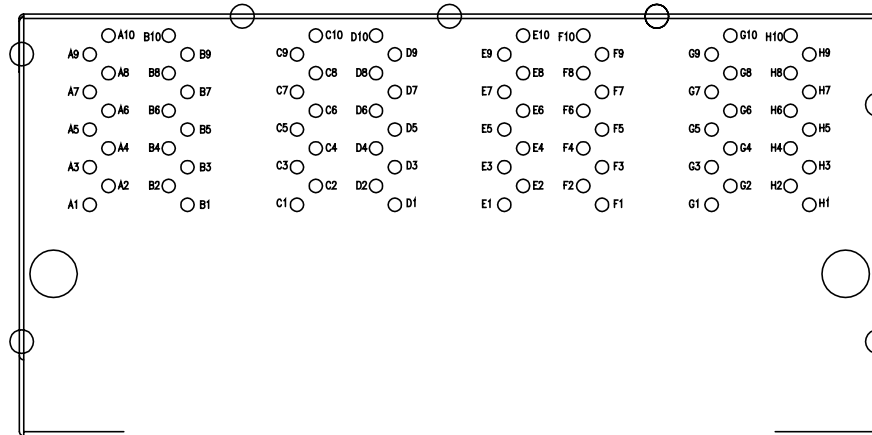
www.morethanall.com

SIZE A4

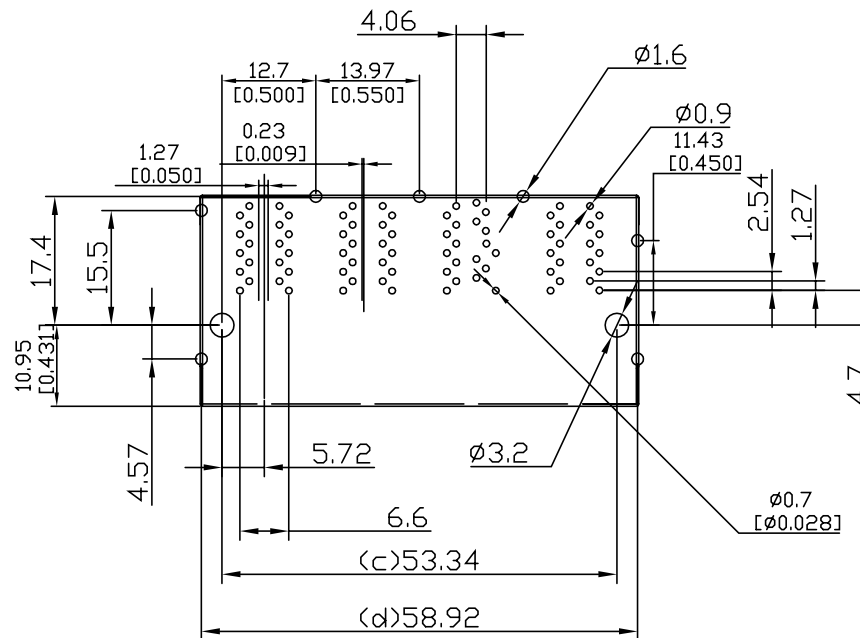
PJECTION

DESCRIPTION: 2X4 Port RJ-45 Jack With 10/100Base-T Magnetics Modules

Mechanicals:



**2X4 Port RJ-45 Jack
With 10/100Base-T Magnetics Modules**



RoHS Compliant

TOLERANCES ARE

MORETHANALL
PCB CONNECTORS
Cable ASSEMBLIES

DRAWING BY CY

X. ±

CHECKED BY GENIUS

.X ±

UNIT / mm SCALE 1 : 1

.XX ±

DATE

.XXX ±

SIZE A4 PPROJECTION

ANG ±

照片框

ORDER INFORMATION

MJF25T27B4-KT06A4-0808-LF

SERIES

LEADFREE

8P8C

FRONT TAB 4.57mm

GOLD 06u"

TOP SPRING

BLACK

煜倫股份有限公司

www.morethanall.com

DESCRIPTION: 2X4 Port RJ-45 Jack With 10/100Base-T Magnetics Modules

Electrical Specifications: @25°C

Operating Temperature: 0°C ~ +70°C

Isolation Voltage: 1500 Vrms (INPUT to OUTPUT)

Rise Time (10–90%): 2.5ns Typical

Turn Ratio: RX=1CT:1CT(±3%) TX=1CT:1CT(±3%)

Cw/w: 20pF Typ. @100KHz 100mV

Leakage Inductance(TX&RX): 0.4uH Max

CMRR: -40dB Typ. @100KHz - 100MHz

OCL: 350uH Minimum @100KHz 100mV 8mADC

Insertion Loss : -1.0dB Max. @100KHz - 100MHz

Return Loss: -18dB Minimum @1MHz - 30MHz

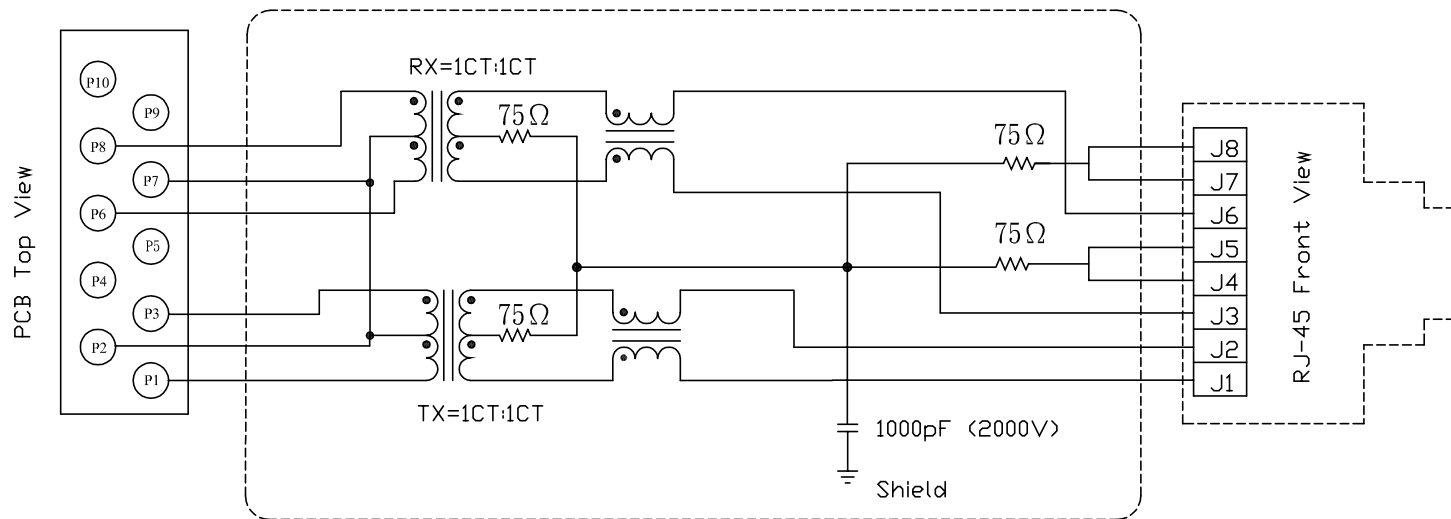
-15dB Minimum @40MHz - 50MHz

-10dB Minimum @60MHz - 80MHz

Crosstalk: -38dB Typ. @100KHz - 100MHz

Schematics:

Block Circuit X8 sets



PRELIMINARY

RoHS Compliant

TOLERANCES ARE

MORETHANALL
PCB CONNECTORS
Cable ASSEMBLIES

DRAWING BY CY

X. ±

CHECKED BY GENIUS

.X ±

UNIT / mm

SCALE 1 : 1

.XX ±

DATE

.XXX ±

ANG ±

SIZE A4

PJECTION

照片框

ORDER INFORMATION

MJF25T27B4-KT06A4-0808-LF

SERIES

LEADFREE

8P8C

FRONT TAB 4.57mm

GOLD 06u"

TOP SPRING

BLACK

煜倫股份有限公司

www.morethanall.com

DESCRIPTION: 2X4 Port RJ-45 Jack With 10/100Base-T Magnetics Modules