

2X4 PORT RJ-45 JACK
With 10/100Base-T Magnetics Modules

RoHS Compliant

TOLERANCES ARE

MORETHANALL
 PCB CONNECTORS
 Cable ASSEMBLIES

DRAWING BY CY

X, ±

CHECKED BY GENIUS

.X ±

UNIT / mm

SCALE 1 : 1

.XXX ±

DATE

ANG ±

煜倫股份有限公司

www.morethanall.com

SIZE A4

PJECTION

照片框

ORDER INFORMATION

MJF25T25B4-KF06A4-0808-LF

SERIES

LEADFREE

BLACK

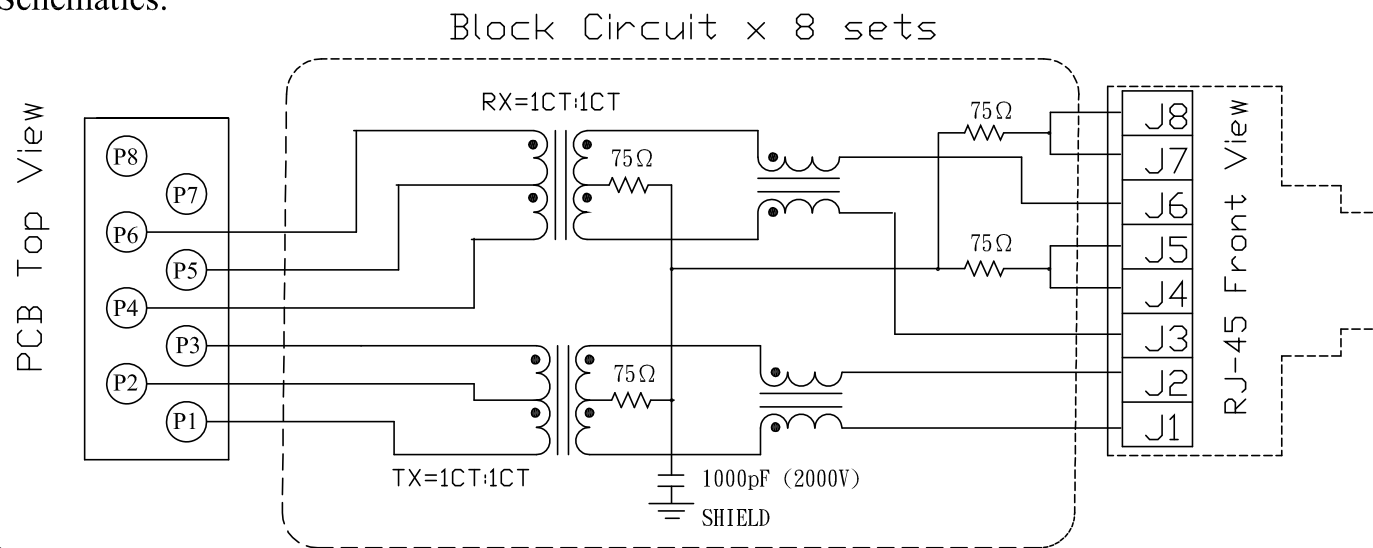
8P8C

FRONT TAB 4.57mm

06u" GOLD
 FULL SPRING

DESCRIPTION:

Schematics:



Electrical Specifications: @25°C

Operating Temperature: 0°C ~ +70°C

Isolation Voltage: 1500 Vrms (INPUT to OUTPUT)

Turn Ratios: RX=1CT:1CT(±3%) TX=1CT:1CT(±3%)

Leakage Inductance(TX&RX): 0.4uH Max.

Cw/w: 20pF Typ. @100KHz 100mV

Rise Time (10-90%): 2.5ns Typical

OCL: 350uH Min. @100KHz /100mV 8mADC

Insertion Loss: -1.0dB Max. @100KHz - 100MHz

Return Loss: -18dB Min. @1MHz - 30MHz

-15dB Min. @40MHz - 50MHz

-12dB Min. @60MHz - 80MHz

DCR: P1-P3: 0.5Ω Max. J1-J2: 1.1Ω Max.

DCR: P4-P6: 0.5Ω Max. J3-J6: 1.1Ω Max.

CMRR: -40dB Typ @100KHz -100MHz

Crosstalk: -40dB Typ @100KHz -100MHz

PRELIMINARY

RoHS Compliant

TOLERANCES ARE

MORETHANALL
PCB CONNECTORS
Cable ASSEMBLIES
煜倫股份有限公司

DRAWING BY CY

CHECKED BY GENIUS

UNIT / mm

SCALE 1:1

DATE

SIZE A4

PJECTION

X, ±
.X ±
.XX ±
.XXX ±
ANG ±

照片框

ORDER INFORMATION

MJF25T25B4-KF06A4-0808-LF

SERIES

BLACK

FRONT TAB 4.57mm

06u" GOLD

FULL SPRING

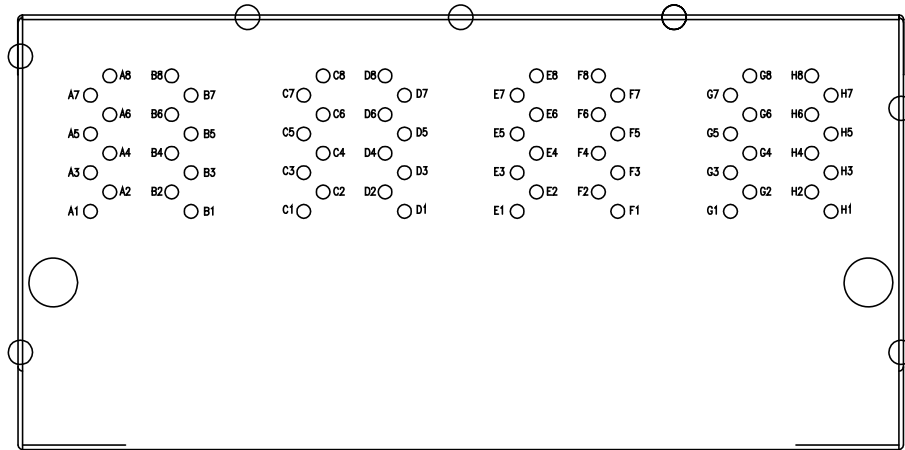
LEADFREE

8P8C

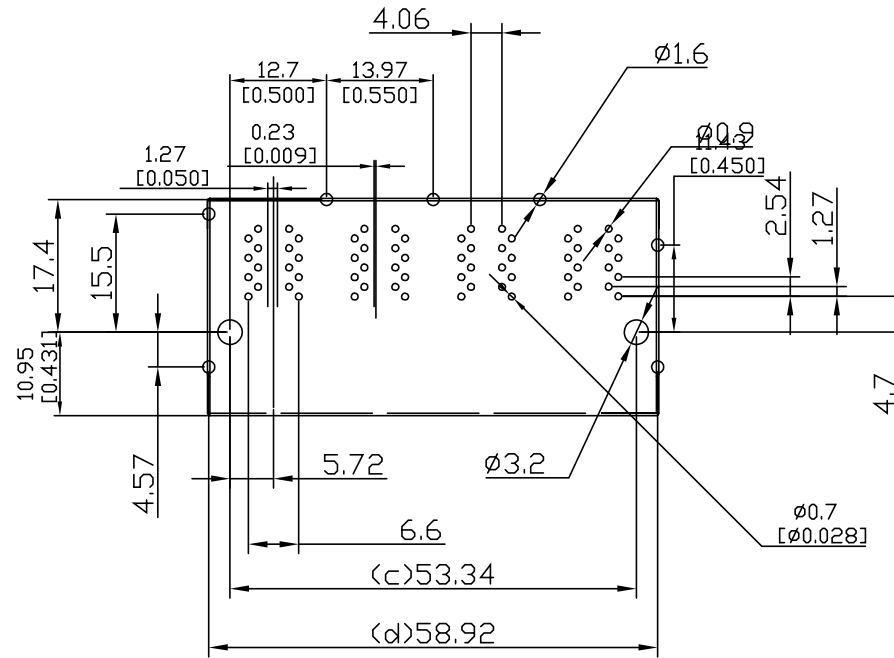
DESCRIPTION: 2X4 PORT RJ-45 JACK With 10/100Base-T Magnetics Modules

www.morethanall.com

Mechanicals:



2X4 PORT RJ-45 JACK
With 10/100Base-T Magnetics Modules



RoHS Compliant

TOLERANCES ARE

MORETHANALL
 PCB CONNECTORS
 Cable ASSEMBLIES

煜倫股份有限公司

www.morethanall.com

DRAWING BY CY

CHECKED BY GENIUS

UNIT / mm

SCALE 1 : 1

DATE

SIZE A4

X, ±
 .X ±
 .XX ±
 .XXX ±
 ANG ±

P PROJECTION

照片框

ORDER INFORMATION

MJF25T25B4-KF06A4-0808-LF

SERIES

LEADFREE

8P8C

BLACK

FRONT TAB 4.57mm

06u" GOLD

FULL SPRING

DESCRIPTION: 2X4 PORT RJ-45 JACK With 10/100Base-T Magnetics Modules