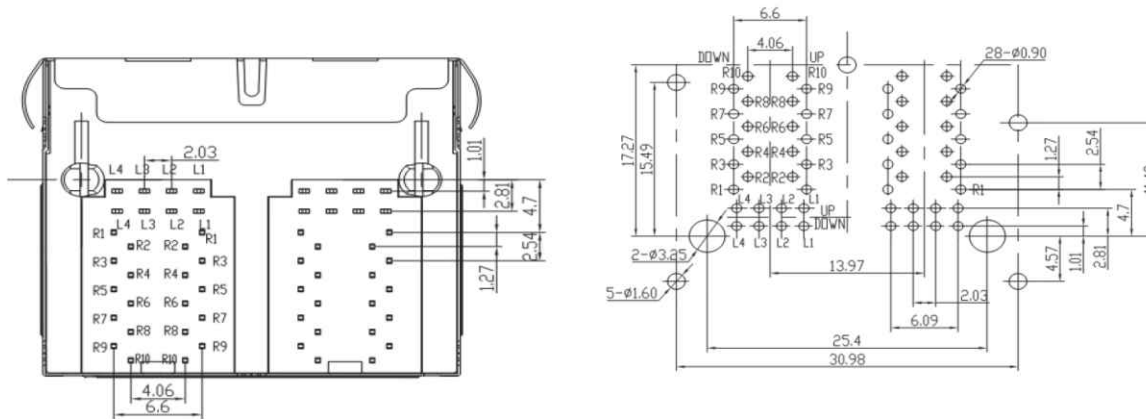
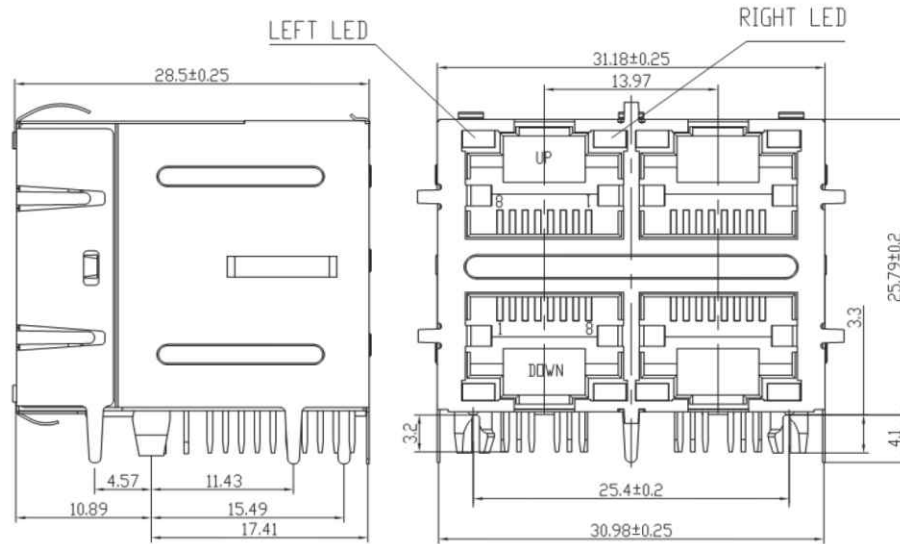


4. Mechanicals:



P. C. B RECOMMENDED HOLE LAYOUT SEEN FROM COMPONENT SIDE.
ALL CENTERLINE DIMENSIONS ARE BASIC

- 4.1. Connector Material:
Housing: Thermoplastic UL94 V-0
Contact/Shield: Cooper alloy
Shield Plating: Nickel
Contact Plating: Selective gold
3u" Min
- 4.2. Tolerances comply with F. C. C dimension requirements
- 4.3. Durability: 800 mating Min

RoHS Compliant

TOLERANCES ARE

MORETHANALL
PCB CONNECTORS
Cable ASSEMBLIES

DRAWING BY CY

X. ±

CHECKED BY GENIUS

.X ±

UNIT / mm

SCALE 1 : 1

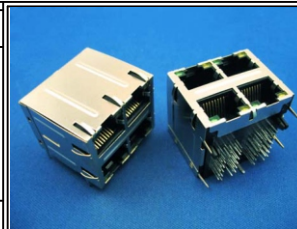
.XXX ±

DATE

ANG ±

SIZE A4

P PROJECTION



ORDER INFORMATION

MJF25T09ULB2-KF06A4GY-0808

SERIES

|

|

|

|

|

|

|

|

|

|

|

|

|

|

|

|

|

|

|

|

|

|

|

|

8P8C
LEFT LED: GREEN/ RIGHT LED: YELLOW
FRONT TAB 4.57mm

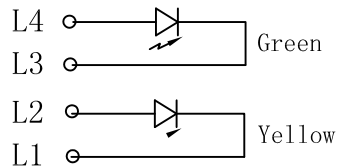
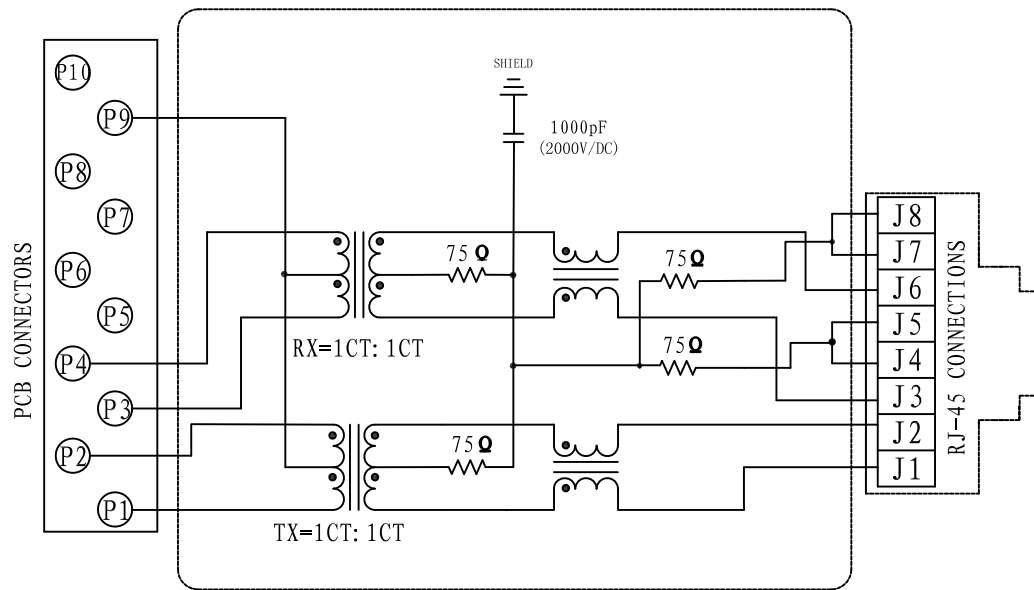
06u" GOLD
FULL SPRING
BLACK

煜倫股份有限公司

www.morethanall.com

DESCRIPTION:

3. Schematics:



1. Electrical Specifications:@25°C

- 1.1. Isolation Voltage: 1500V/AC (Input to Output)
- 1.2. OCL: 350uH Minimum @100KHz 100mV 8mA DC
- 1.3. Insertion Loss: -1.2dB Maximum @100KHz-100MHz
- 1.4. Return Loss: -18dB Minimum @1MHz-30MHz
-14dB Minimum @30MHz-60MHz
-12dB Minimum @60MHz-80MHz
- 1.5. Common Mode Rejection: -30dB Minimum @1MHz-100MHz
- 1.6. Cross Talk: -30dB Minimum @1MHz-100MHz
- 1.7. PoE Rating :15W 350mA 48V (For PoE Products only)

2. Operating and Storage Temperature:

- 2.1. Operating Temperature: -40°C to +85°C
- 2.2. Storage Temperature: -40°C to +85°C

RoHS Compliant

TOLERANCES ARE

MORETHANALL
PCB CONNECTORS
Cable ASSEMBLIES

DRAWING BY CY

CHECKED BY GENIUS

UNIT / mm

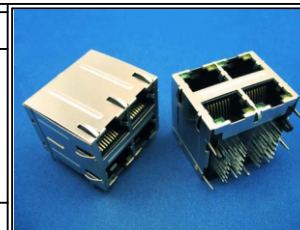
SCALE 1 : 1

DATE

SIZE A4

X. ±
.X ±
.XX ±
.XXX ±
ANG ±

P PROJECTION



ORDER INFORMATION

MJF25T09ULB2-KF06A4GY-0808

SERIES

8P8C

LEFT LED: GREEN/ RIGHT LED: YELLOW

FRONT TAB 4.57mm

06u" GOLD
FULL SPRING
BLACK

煜倫股份有限公司

www.morethanall.com

DESCRIPTION: