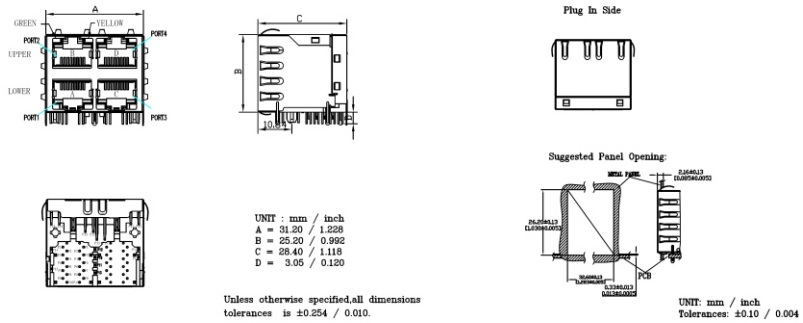
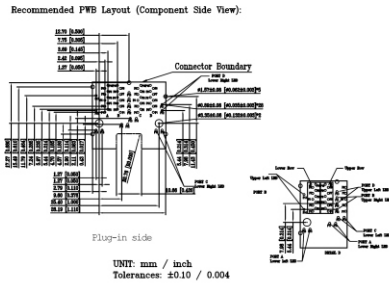
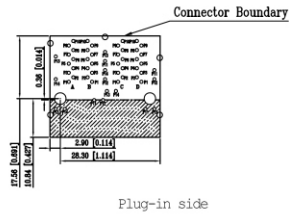


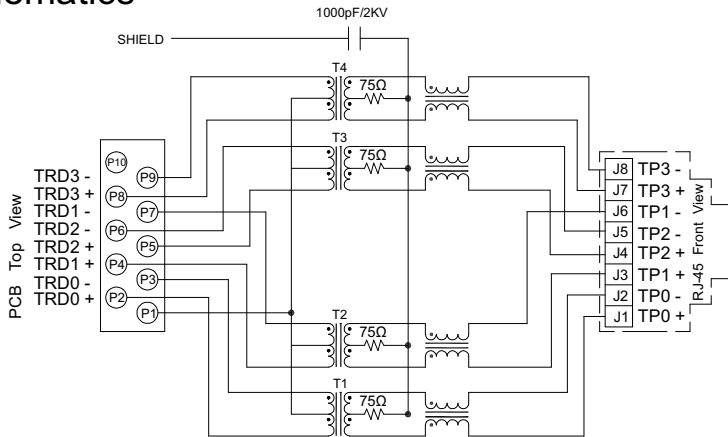
一、Mechanical Dimensions



Keep-Out Area (Component Side View):



二、Schematics



| Standard LED | Wavelength | Forward* V(MAX) | TYP |
|--------------|------------|-----------------|------|
| Green | 565nm | 2.4v | 2.2v |
| Yellow | 590nm | 2.5v | 2.1v |

With a forward current of 20mA

三、ELECTRICAL SPECIFICATIONS@25 °C:

- Turn Ratio ($\pm 5\%$)(P2-P3):(J1-J2)=1:1
 (P4-P7):(J3-J6)=1:1
 (P5-P6):(J4-J5)=1:1
 (P8-P9):(J7-J8)=1:1
- Pri Inductance (100KHz/0.1V@8mA): 350uH MIN@0°C TO +70°C
- DCR: 1.2ΩMAX
- Insertion Loss(dB MAX): -1.0dB(1-100MHz), -1.2dB(100-125MHz)
- Return Loss(dB MIN): -16dB(1-40MHz), -12dB(40-60MHz), -10dB(60-80MHz)
 -8dB(80-100MHz)
- Cross talk(dB MIN): -30dB(1-100MHz)
- CMA(dB MIN): -30dB(1-100MHz)
- Isolation: PHY Side to Line Side: 2250VDC
- Operating Temperature: -40°C TO +85°C
- RoHS compliance: YES

RoHS Compliant

TOLERANCES ARE

MORETHANALL
 PCB CONNECTORS
 Cable ASSEMBLIES

DRAWING BY CY

X, ±

CHECKED BY GENIUS

.X ±

UNIT / mm

SCALE 1 : 1

.XXX ±

DATE

ANG ±

SIZE A4

PPOJECTION

照片框

ORDER INFORMATION

MJF25T001ULB2-KF06A4GY-0808

SERIES

8P8C

LED1,3 LED2,4

GREEN / YELLOW

FRONT TAB 4.57mm

BLACK

GOLD 6u"

FULL SPRING

煜倫股份有限公司

www.morethanall.com

DESCRIPTION: RJ45 ICM (1000 Base-T 2*2 Port)

四、Mechanicals

Notes:

- CONNECTOR MATERIAL :
HOUSING:THERMOPLASTIC BLACK UL94 V-0
SHIELD:Brass
SHIELD PLATING:NICKEL
CONTACT:PHOSPHOR BRONZE
CONTACT PLATING: GOLD, 6 MICRO-INCHS MIN IN CONTACT AREA
- PIN NOT ELECTRICALLY CONNECTED MAYBE OMITTED SEE ELECTRICAL DRAWING FOR OMITTED PINS
- RJ45 CAVITIES CONFORM TO FCC RULES AND REGULATION PART 68.
- THE PART IS RECOMMENDED FOR WAVE SOLDERING PROCESS PEAK SOLDERING TEMPERATURE IS 260° C MAX, 10 SECS MAX
- STORAGE TEMPERATURE T=-40° C TO +85° C.

五、Packaging

- packaging unit : 12 PCS/tray
- outer carton unit : 216cs/ 18Trays/box

RoHS Compliant

TOLERANCES ARE

MORETHANALL
PCB CONNECTORS
Cable ASSEMBLIES

煜倫股份有限公司

www.morethanall.com

DRAWING BY CY

CHECKED BY GENIUS

UNIT / mm

SCALE 1:1

DATE

SIZE A4

X. ±

.X ±

.XX ±

.XXX ±

ANG ±

PPOJECTION 

照片框

ORDER INFORMATION

MJF25T001ULB2-KF06A4GY-0808

SERIES

8P8C

LED1,3 LED2,4

GREEN / YELLOW

FRONT TAB 4.57mm

BLACK

GOLD 6u"
FULL SPRING

DESCRIPTION: RJ45 ICM (1000 Base-T 2*2 Port)