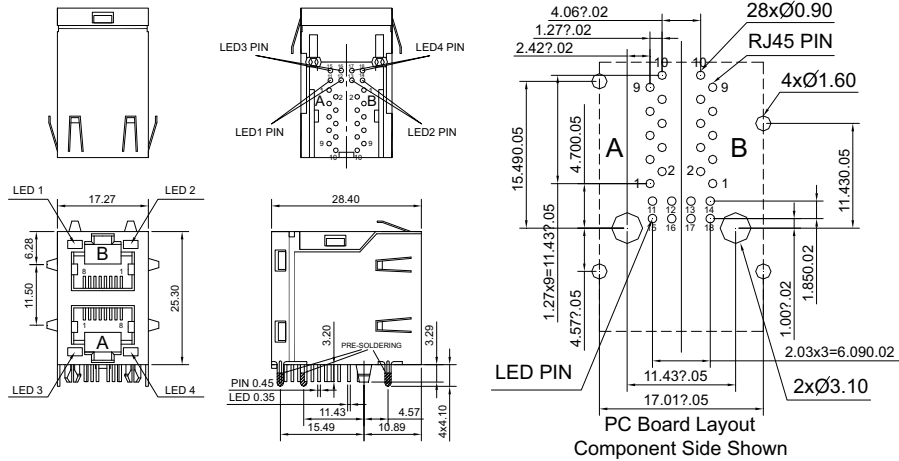
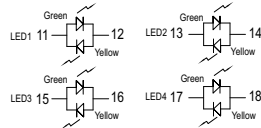
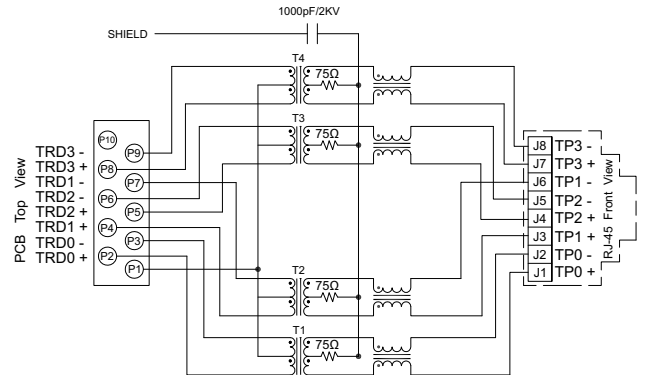


一、Mechanical Dimensions



UNIT:mm Tolerances: .X= 0.38, .XX = 0.25

二、Schematics



Standard LED	Wavelength	Forward*V(MAX)	TYP
Green	565nm	2.5v	2.2v
Yellow	585nm	2.5v	2.1v

With a forward current of 20mA

三、ELECTRICAL SPECIFICATIONS@25°C:

1. Turn Ratio(±5%): 1CT:1CT
2. OCL(100KHz/0.1V@8mA):350uH MIN.
3. Insertion Loss(dB MAX):-1.1dB (1-100MHz)
4. Return Loss(dB MIN): -18dB(1-30MHz),-14dB(30-60MHz),-12dB(60-80MHz),
-10dB(80-100MHz)
5. Cross talk(dB MIN):-35dB(1-10MHz),-26dB(15-60MHz),-24dB(60-100MHz),
6. CMR(dB MIN): -40dB(1-60MHz),-30dB (60-100MHz),
7. HI-POT(Pri to Sec): 1500Vrms
8. Operating Temperature:-20°C TO +85°C
9. RoHS compliance: YES

MORETHANALL
PCB CONNECTORS
Cable ASSEMBLIES

煜倫股份有限公司

www.morethanall.com

RoHS Compliant

DRAWING BY CY

CHECKED BY GENIUS

UNIT / mm SCALE 1 : 1

DATE

SIZE A4

TOLERANCES ARE

X, ±

.X ±

.XX ±

.XXX ±

ANG ±

PJECTION

照片框

ORDER INFORMATION

MJF25T001ULB1-KF06A4GYGY-0808

SERIES

8P8C

GREN, YELLOW / GREN, YELLOW
FRONT TAB 4.57mm

06u" GOLD
FULL SPRING
BLACK

DESCRIPTION: RJ45 1000 BASE-T 2X1 JACK WITH MAGNETIC MODULE

四、Mechanicals

Housing Material:

MATERIAL:NYLON GF UL94V-0 STANDARD COLOR:BLACK

Insert Material:

MATERIAL: CONT---0.35mm THICKNESS

PHOS---BRONZE.C5210

INSERT---PBT GF UL94V-0

1.PLATING: NICKEL

2.PLATING: 100%Sn

3.PLATING: GOLD (6u " ~50u ")

Contact pin Material:

1.NYLON GF UL94V-0

2.0.30mm THICKNESS PHOS-BRONZE C5191

3.PLATING 100%SN

Shielding Material:

1.BRASS C2680H PLATING NICKEL

2.PLATING NICKEL

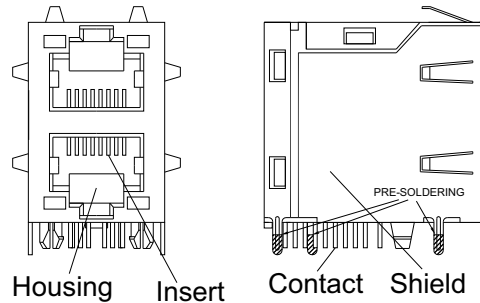
Operating Life:750 Cycles MIN.

五、Environmental

1.Storage Temp:-40°C TO +85°C.

2.Operating Temp: -20°C TO +85°C.

3. MATES WITH MODULAR PLUG CONFORMING TO FCC PART 68,SUBPARTF.



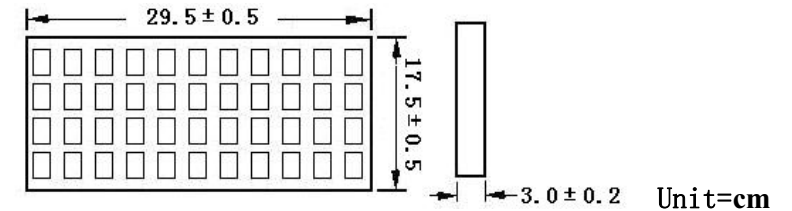
Housing Insert

Contact Shield

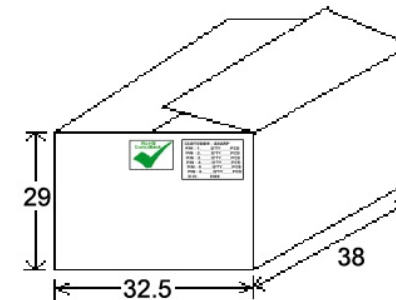
六、Packaging

1. packaging unit : 44 PCS/tray

2. packaging material : PET



3. outer carton unit : 704 pcs/ 16 Trays/box



Unit=cm

RoHS Compliant

TOLERANCES ARE

MORETHANALL
PCB CONNECTORS
Cable ASSEMBLIES

煜倫股份有限公司

www.morethanall.com

DRAWING BY CY

CHECKED BY GENIUS

UNIT / mm SCALE 1 : 1

DATE

SIZE A4

X, ±

.X ±

.XX ±

.XXX ±

ANG ±

PPOJECTION

照片框

ORDER INFORMATION

MJF25T001ULB1-KF06A4GYGY-0808

SERIES

8P8C

GREN, YELLOW / GREN, YELLOW
FRONT TAB 4.57mm

06u" GOLD
FULL SPRING
BLACK

DESCRIPTION: