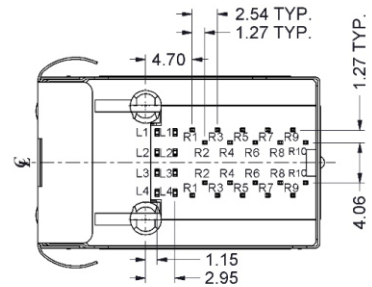
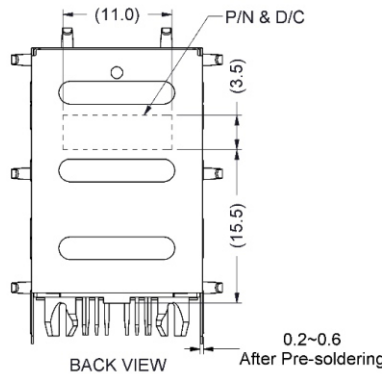
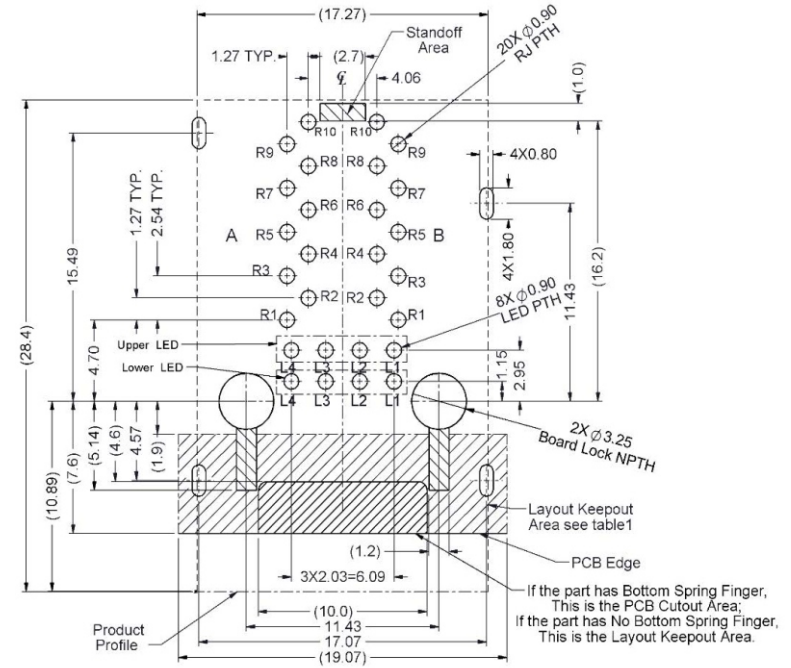
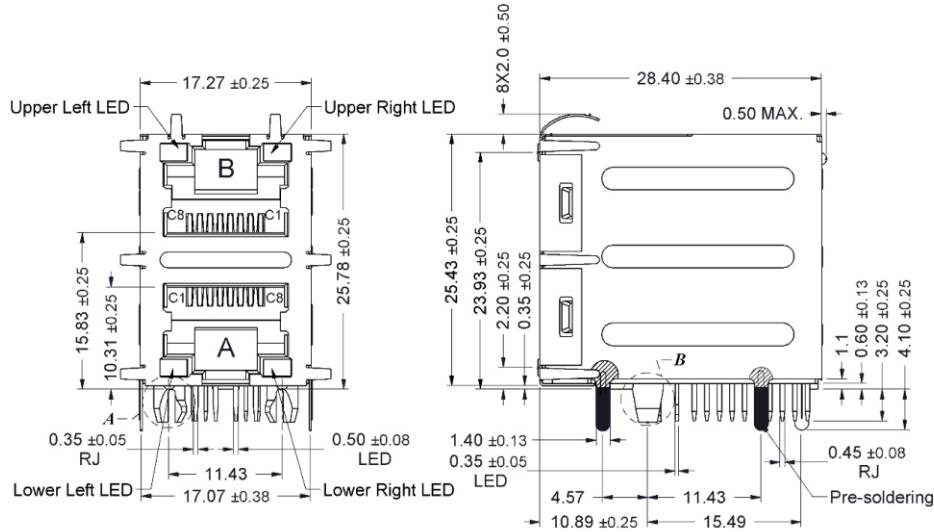


Recommended PCB Layout. Component side of board
 All dimension units are "mm".
 All dimension tolerances are ±0.05mm unless otherwise specified.



RoHS Compliant

TOLERANCES ARE



DRAWING BY CY
 CHECKED BY GENIUS
 UNIT / mm SCALE 1 : 1
 DATE
 SIZE A4

X, ±
 .X ± 0.38
 .XX ± 0.20
 .XXX ±
 ANG ±

煜倫股份有限公司

www.morethanall.com

PJECTION

照片框

ORDER INFORMATION

MJF25T001ULB1-KF06A4GY-0808

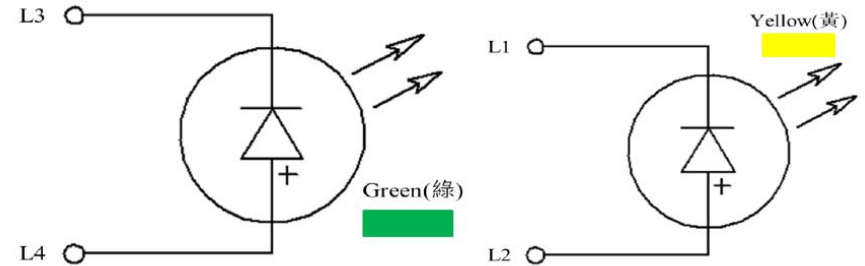
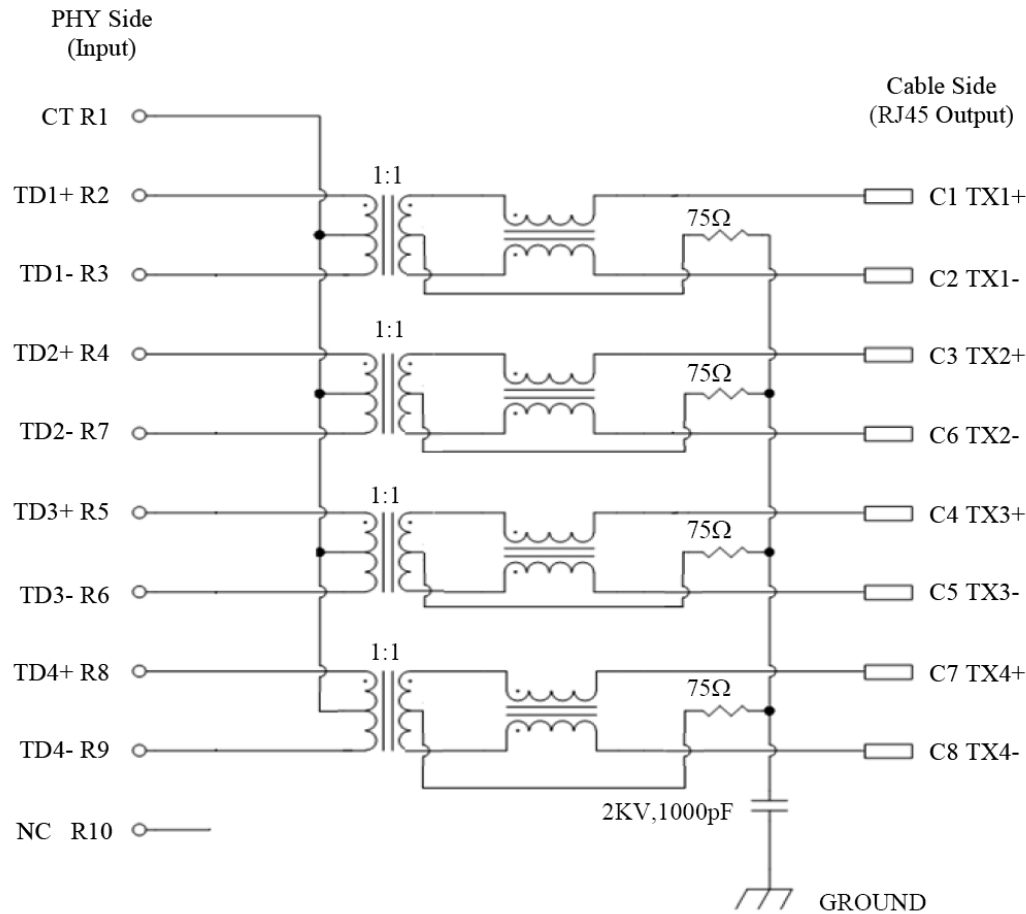
SERIES

8P8C

BLACK LEFT FRONT TAB 4.57mm
 GOLD 6u" FULL SPRING
 RIGHT GREEN / YELLOW

DESCRIPTION:

ELECTRICAL CHARACTERISTICS @ 25°C



| Emitting Color | λ_p (nm) | $V_f @ I_f=20mA$ | $I_r @ V_r=5V$ |
|----------------|------------------|------------------|-----------------|
| Green | 570 | 1.7 ~ 2.6 V | 10 μ A max. |
| Yellow | 588 | 1.7 ~ 2.6 V | 10 μ A max. |

RoHS Compliant

TOLERANCES ARE

MORETHANALL
PCB CONNECTORS
Cable ASSEMBLIES

DRAWING BY CY

CHECKED BY GENIUS

UNIT / mm

SCALE 1 : 1

DATE

SIZE A4

PPOJECTION

X, \pm
X \pm 0.38
.XX \pm 0.20
.XXX \pm
ANG \pm

照片框

ORDER INFORMATION

MJF25T001ULB1-KF06A4GY-0808

SERIES

8P8C
LEFT RIGHT
GREEN / YELLOW
FRONT TAB 4.57mm
GOLD 6 μ "
FULL SPRING

煜倫股份有限公司

www.morethanall.com

DESCRIPTION: