

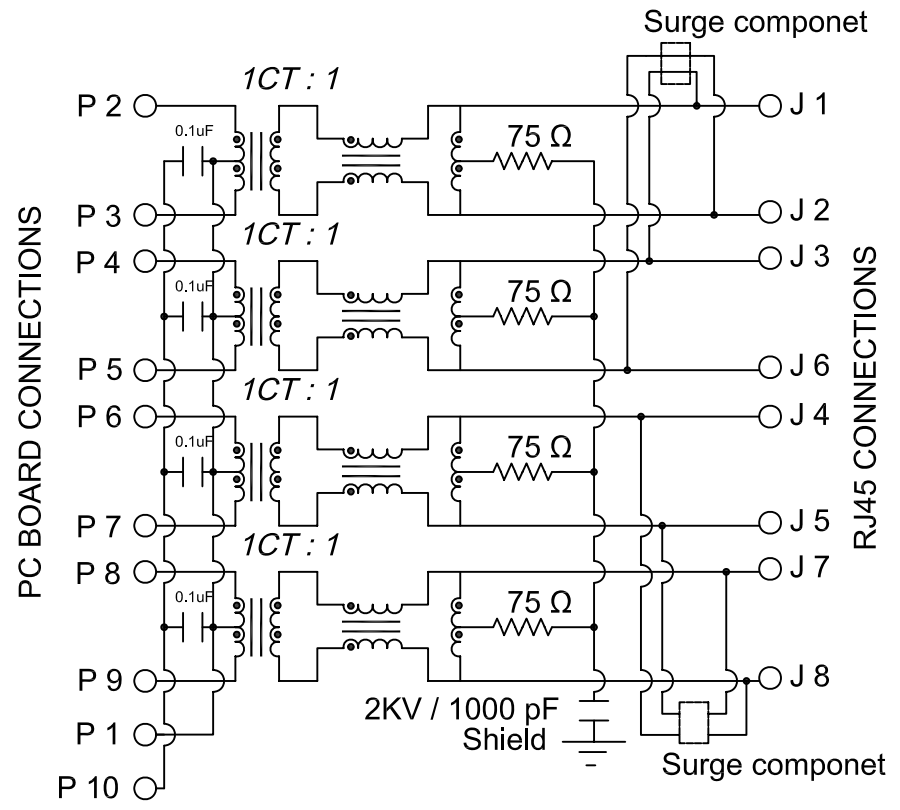
- NOTES:
- Material:
 - HOUSING: LCP ,UL94V-0,COLOR:BLACK;
 - SHELL: SUS304
 - RJ45 TERMINAL:PHOSPHOR BRONZE T=0.3mm
PLATING: 50u" NICKEL Min. UNDER PLATED
ALL OVER 100u" TIN Min. PLATED ALL OVER
30u' GOLD PLATED ON CONTACT AREA;
 - OTHERS TERMINAL:BRASS T=0.35mm
PLATING: 50u" NICKEL Min. UNDER PLATED
ALL OVER 100u" TIN Min. PLATED ALL OVER;

MJF25S010ULB4-KF06A4GYGY-0808

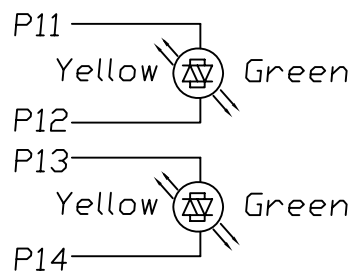


煜倫股份有限公司

PART NO. MJF25S010ULB4-KF06A4GYGY-0808		RoHS Compliant		TOLERANCES ARE X ± 0.5 .X ± 0.38 .XX ± 0.25 .XXX ± 0.15 ANG		DESCRIPTION:	
DWG NO. MJF25S010ULB4-KF06A4GYGY-0808		CHECKED BY CY					
FILE NO.		DRAWING BY		AREA		REVISIONS	
UNIT / mm	SCALE 1:1	PROJECTION		DATE			



1. Electrical Specification @25°C:
- 1.1 Insertion Loss:@ 1-100 MHz -1.0dB Max.
Return Loss:@ 1-30 MHz -18dB Min. LOAD 100 Ω.
@ 30-60 MHz -16dB Min. LOAD 100 Ω.
@ 60-80 MHz -12dB Min. LOAD 100 Ω.
 - 1.2 Common Mode Rejection :@ 1-100 MHz -30dB Min.
 - 1.3 Cross Talk:@ 1-100 MHz -30dB Min.
 - 1.4 Inductance @100KHz/0.1V 350uH Min DC8mA **Bias**.
 - 1.5 Hi-Pot Test:1500AC,1sec .



Emitting Color	λ.p(nm)	Vf@If=20mA
Green	568	1.8-2.8V
Yellow	585	1.8-2.8V

MORETHANALL
CONNECTORS
ASSEMBLIES

PART NO. MJF25S010ULB4-KF06A4GYGY-0808
DWG NO. MJF25S010ULB4-KF06A4GYGY-0808

CHECKED BY CY

TOLERANCES ARE
X. ± 0.5
.X ± 0.38
.XX ± 0.25
.XXX ± 0.15
ANG

DESCRIPTION:

焯倫股份有限公司

UNIT / mm SCALE 1:1

DRAWING BY PROJECTION

AREA	REVISIONS	DATE
------	-----------	------