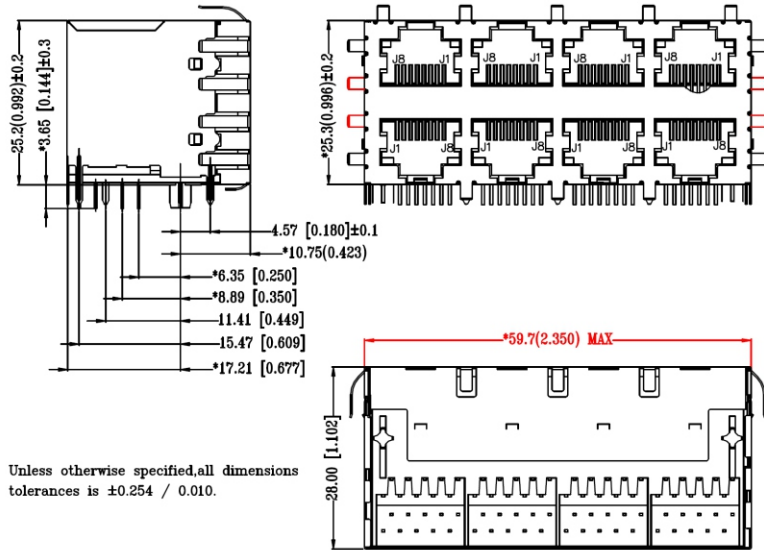
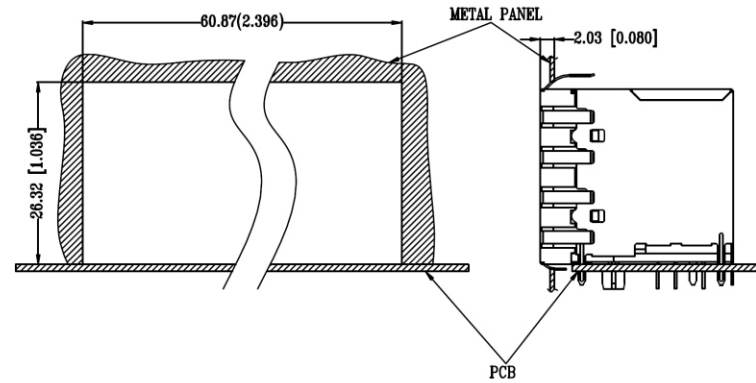


# 一、Mechanical Dimensions



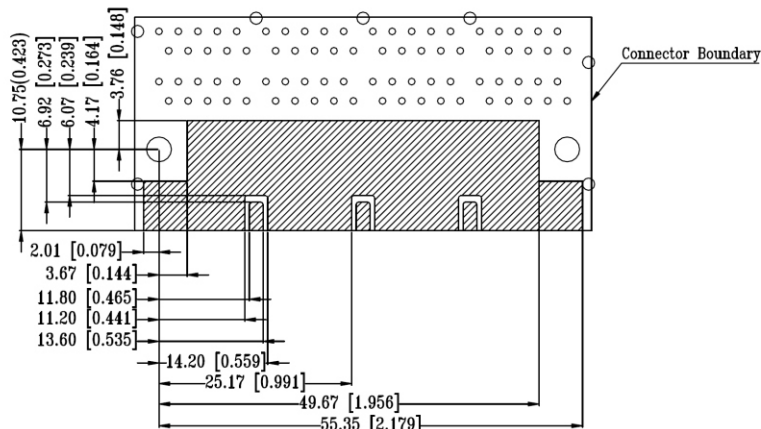
Unless otherwise specified, all dimensions tolerances is  $\pm 0.254 / 0.010$ .

Suggested Panel Opening:



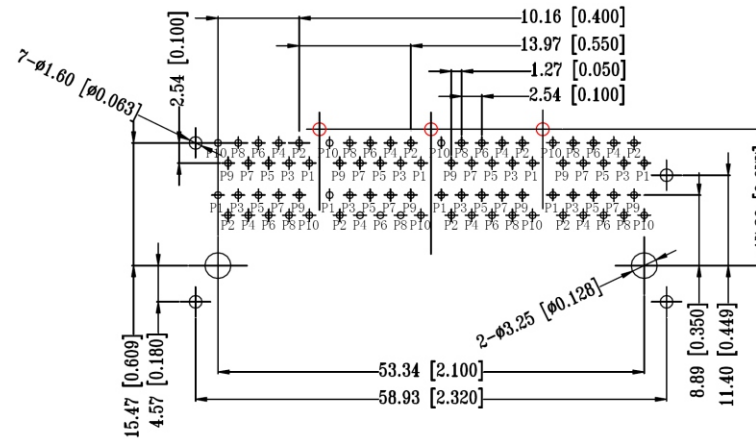
UNIT: mm / inch  
Tolerances:  $\pm 0.10 / 0.004$

Keep-Out Area (Component Side View):



UNIT: mm / inch  
Tolerances:  $\pm 0.10 / 0.004$

Recommended PWB Layout (Component Side View):



UNIT: mm / inch  
Tolerances:  $\pm 0.10 / 0.004$



煜倫股份有限公司

www.morethanall.com

RoHS Compliant

DRAWING BY CY

CHECKED BY GENIUS

UNIT / mm SCALE 1 : 1

DATE

SIZE A4

TOLERANCES ARE

X,  $\pm$

.X  $\pm$

.XX  $\pm$

.XXX  $\pm$

ANG  $\pm$

PJECTION

照片框

ORDER INFORMATION

MJF25P55B4-KF06A4-0808-LF

SERIES

||

||

||

||

||

||

||

||

||

||

||

||

||

||

||

||

LEADFREE

8P8C

FRONT TAB 4.57mm

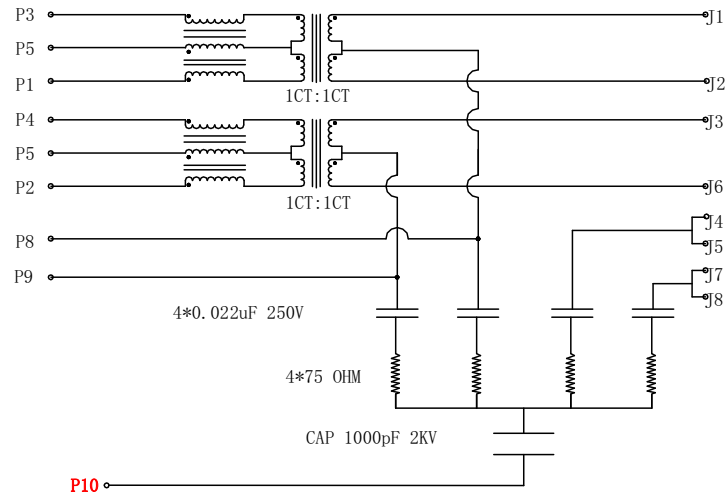
06u" GOLD

FULL SPRING

BLACK

DESCRIPTION: RJ45 10/100 BASE-T 2X4 JACK WITH MAGNETIC MODULE

## 二、Schematics



## 三、ELECTRICAL SPECIFICATIONS@25 °C:

- Turn Ratio( $\pm 5\%$ )(P3-P1):(J1-J2)= 1:1  
(P4-P2):(J3-J6)=1:1
- Pri Inductance(100KHz/0.1V@8mA): 350uH MIN
- DCR(J1-J2):(J3-J6): 1.2  $\Omega$  MAX
- Insertion Loss (dB MAX): -1.2dB(1-100MHz)
- Return Loss(dB MIN): -16dB(1-30MHz), -12dB(30-60MHz), -10dB(60-80MHz)
- Cross talk(dB MIN): -30dB(1-100MHz)
- CMA(dB MIN): -30dB(1-100MHz)
- HI-POT(Pri to Sec): 500VAC
- Operating Temperature: 0°C ~ +70°C
- DC CURRENT/VOLTAGE RATING-PSE PINS: 350mA @57V(CONTINUOUS)
- RoHS compliance: YES

## 四、Mechanicals

### Notes:

- CONNECTOR MATERIAL:  
HOUSING: THERMOPLASTIC UL94 V-0  
SHIELD: Brass  
SHIELD PLATING: NICKEL  
CONTACT: COOPER ALLOY  
CONTACT PLATING: SELECTIVE GOLD, 30 MICRO-INCHS MIN IN CONTACT AREA
- PIN NOT ELECTRICALLY CONNECTED MAYBE OMITTED SEE ELECTRICAL DRAWING FOR OMITTED PINS
- RJ45 CAVITIES CONFORM TO FCC RULES AND REGULATION PART 68.
- THE PART IS RECOMMENDED FOR WAVE SOLDERING PROCESS PEAK SOLDERING TEMPERATURE IS 260° C MAX, 10 SECS MAX
- OPERATING TEMPERATURE T=0° C TO +70° C.
- STORAGE TEMPERATURE T=-40° C TO +85° C.
- ALL CRITICAL DIMENSIONS WITH "\*"

## 五、Packaging

- packaging unit : 20 PCS/tray
- outer carton unit : 320 pcs/ 16 Trays/box
- MOQ: 1280 PCS

RoHS Compliant

TOLERANCES ARE

**MORETHANALL**  
PCB CONNECTORS  
Cable ASSEMBLIES

煜倫股份有限公司

www.morethanall.com

DRAWING BY CY

CHECKED BY GENIUS

UNIT / mm SCALE 1 : 1

DATE

SIZE A4

X,  $\pm$

.X  $\pm$

.XX  $\pm$

.XXX  $\pm$

ANG  $\pm$

P PROJECTION

照片框

ORDER INFORMATION

MJF25P55B4-KF06A4-0808-LF

SERIES

LEADFREE

8P8C

FRONT TAB 4.57mm

06u" GOLD  
FULL SPRING  
BLACK

DESCRIPTION: