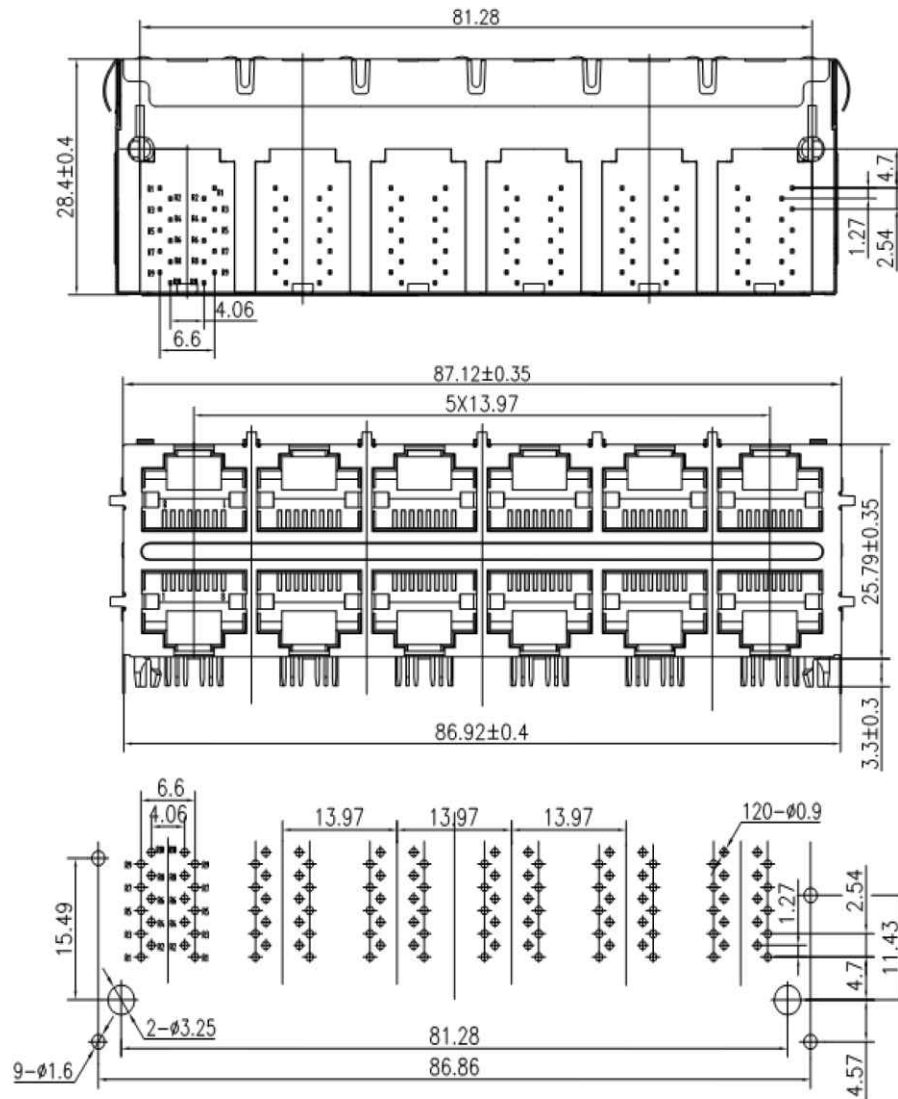
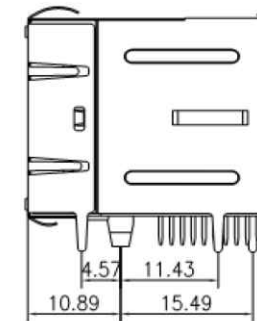


#### 4. Mechanicals:



P. C. B RECOMMENDED HOLE LAYOUT SEEN FROM COMPONENT SIDE.  
ALL CENTERLINE DIMENSIONS ARE BASIC

- 4. 1. Connector Material:  
Housing:Thermoplastic UL94 V-0  
Contact/Shield:Cooper alloy  
Shield Plating:Nickel  
Contact Plating:Selective gold  
3u" Min
- 4. 2. Tolerances comply with F. C. C  
dimension requirements
- 4. 3. Durability:800 mating Min



**MORETHANALL**  
PCB CONNECTORS  
Cable ASSEMBLIES

煜倫股份有限公司

www.morethanall.com

**RoHS Compliant**

DRAWING BY CY

CHECKED BY GENIUS

UNIT / mm SCALE 1 : 1

DATE

SIZE A4

TOLERANCES ARE

X, ±  
.X ±  
.XX ±  
.XXX ±  
ANG ±

P PROJECTION

照片框

**ORDER INFORMATION**

**MJF25P23B6-KF06A4-0808-LF**

SERIES

BLACK

8P8C

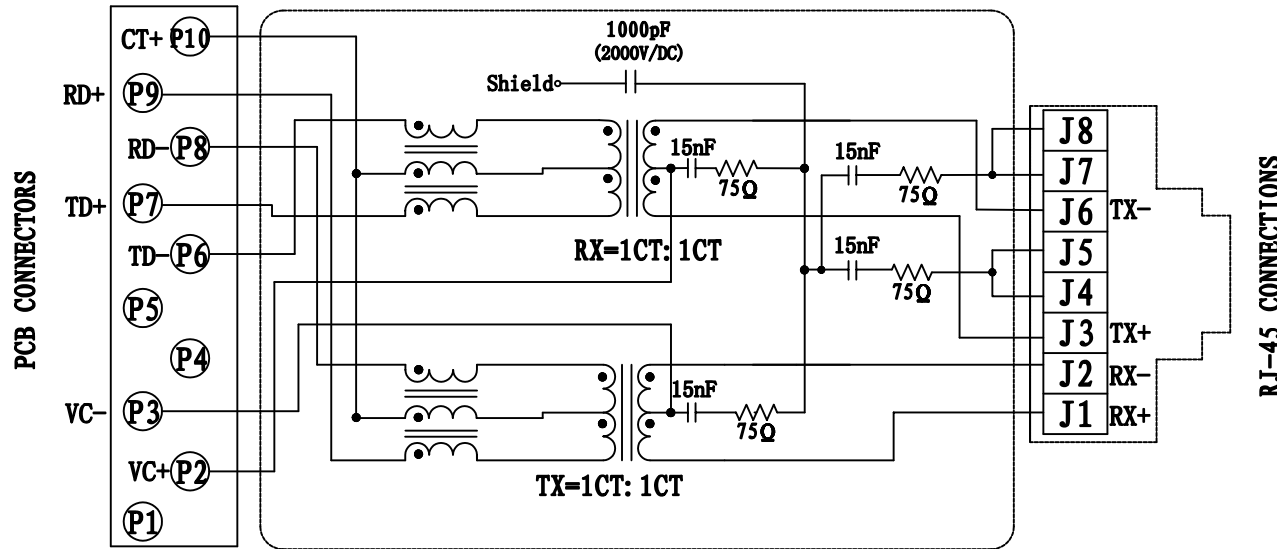
FRONT TAB 4.57mm

06u" GOLD  
FULL SPRING

LEADFREE

DESCRIPTION:

### 3. Schematics:



#### 1. Electrical Specifications:@25°C

- 1.1. Isolation Voltage: 1500V/AC(Input to Output)
  - 1.2. OCL:350uH Minimum @100KHz 100mV 8mA DC
  - 1.3. Insertion Loss: -1.2dB Maximum @100KHz-100MHz
  - 1.4. Return Loss: -18dB Minimum @1MHz-30MHz  
-14dB Minimum @30MHz-60MHz  
-12dB Minimum @60MHz-80MHz
  - 1.5. Common Mode Rejection: -30dB Minimum @1MHz-100MHz
  - 1.6. Cross Talk: -30dB Minimum @1MHz-100MHz
  - 1.7. PoE Rating :15W 350mA 48V(For PoE Products only)
- #### 2. Operating and Storage Temperature:
- 2.1. Operating Temperature:-40°C to +85°C
  - 2.2. Storage Temperature:-40°C to +85°C

RoHS Compliant

TOLERANCES ARE

**MORETHANALL**  
PCB CONNECTORS  
Cable ASSEMBLIES

DRAWING BY CY

X, ±

CHECKED BY GENIUS

.X ±

UNIT / mm

SCALE 1 : 1

.XX ±

DATE

.XXX ±

ANG ±

SIZE A4

PJECTION

照片框

ORDER INFORMATION

MJF25P23B6-KF06A4-0808-LF

SERIES

LEADFREE

8P8C

BLACK

FRONT TAB 4.57mm

06u" GOLD

FULL SPRING

煜倫股份有限公司

www.morethanall.com

DESCRIPTION: