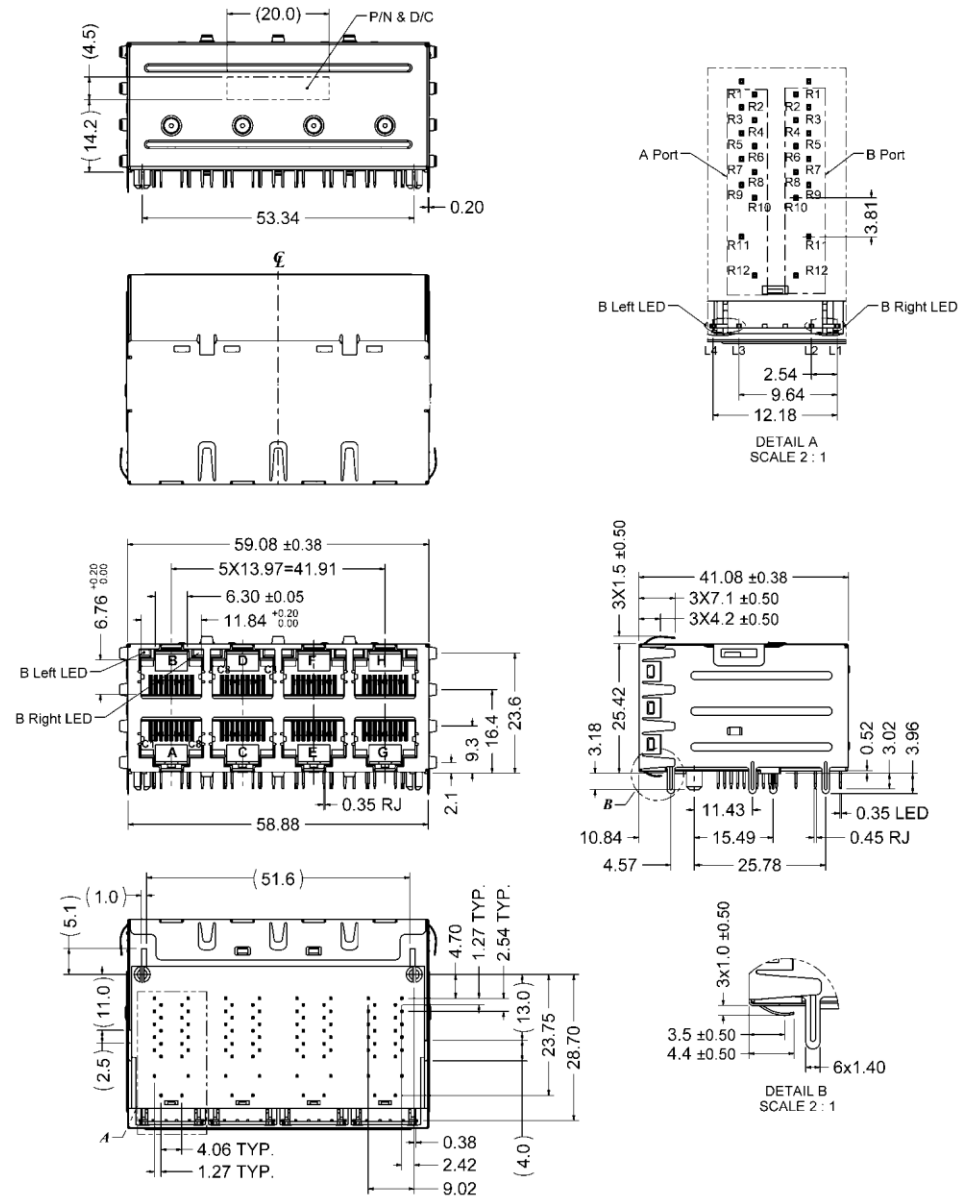


1. MECHANICAL DIMENSION

1.1 Product Dimension



RoHS Compliant

TOLERANCES ARE

MORETHANALL
PCB CONNECTORS
Cable ASSEMBLIES

DRAWING BY CY

CHECKED BY GENIUS

UNIT / mm SCALE 1 : 1

DATE

SIZE A4

X ±
.X ± 0.38
.XX ± 0.25
.XXX ± 0.13
ANG ±

PPOJECTION

照片框

ORDER INFORMATION

MJF25P010ULB4-KF06A4YGGY-0808

SERIES

BLACK | 8P8C | LEFT LED / RIGHT LED
YELLOW / GREEN | FRONT TAB 4.57mm
GOLD 6u" | FULL SPRING
GREEN / YELLOW

DESCRIPTION:

煜倫股份有限公司

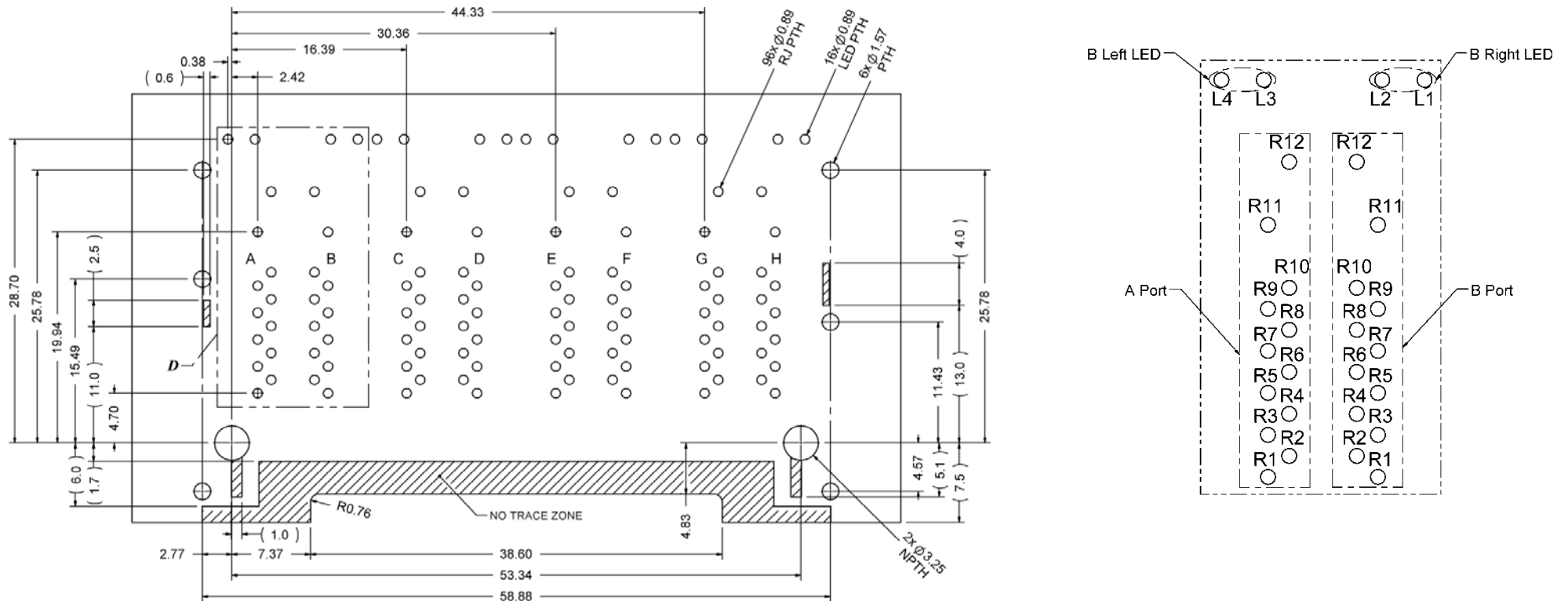
www.morethanall.com

1.2 Recommended PCB Layout

Component Side of Board

PCB Thickness: 1.60mm ; All dimension tolerance are $\pm 0.05\text{mm}$

unless otherwise specified



煜倫股份有限公司

www.morethanall.com

RoHS Compliant

DRAWING BY CY

CHECKED BY GENIUS

UNIT / mm SCALE 1 : 1

DATE

SIZE A4

TOLERANCES ARE

X, \pm
 .X \pm 0.38
 .XX \pm 0.25
 .XXX \pm 0.13
 ANG \pm

P PROJECTION

照片框

ORDER INFORMATION

MJF25P010ULB4-KF06A4YGGY-0808

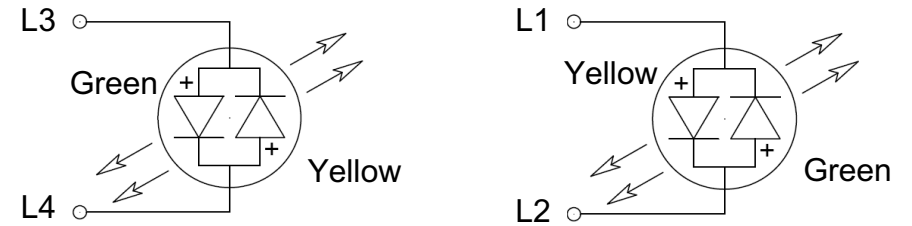
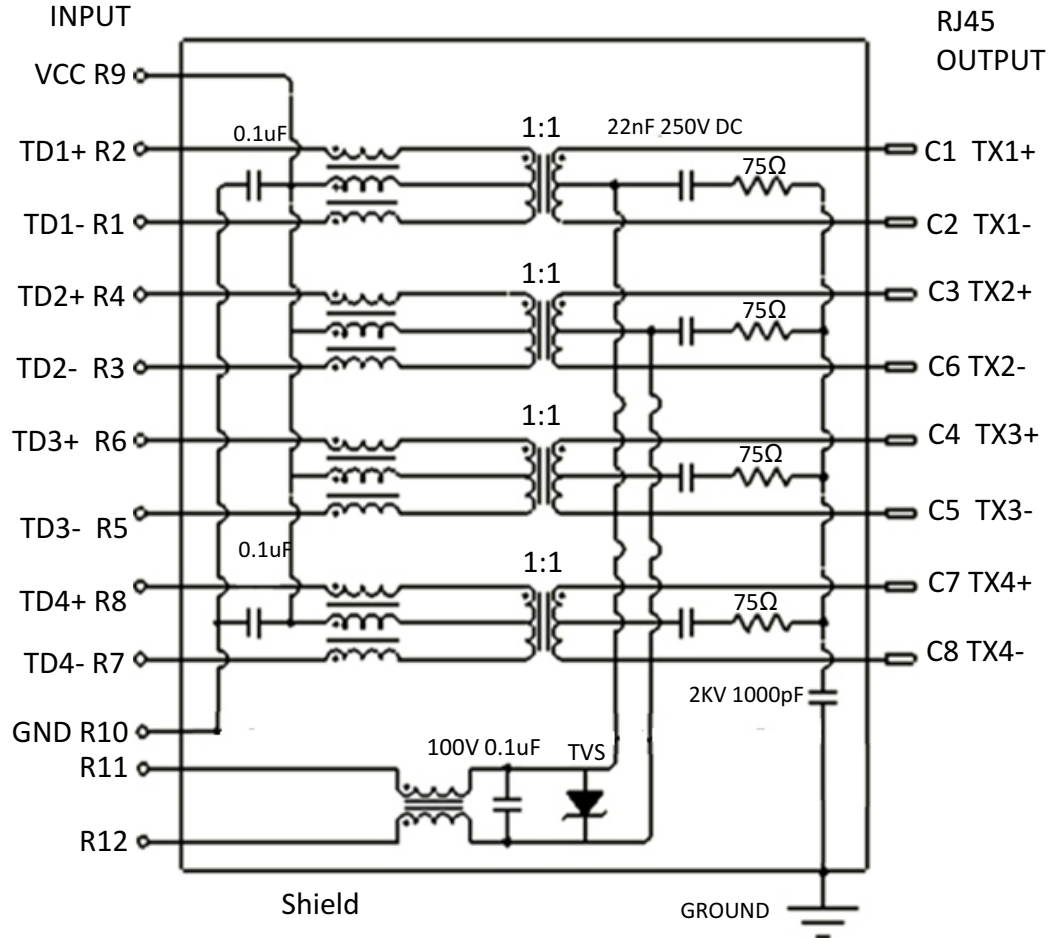
SERIES

BLACK | 8P8C | LEFT LED / RIGHT LED
 YELLOW / GREEN / GREEN / YELLOW
 FRONT TAB 4.57mm
 GOLD 6 μ "
 FULL SPRING

DESCRIPTION:

3. ELECTRICAL CHARACTERISTICS

3.1 Schematic



Emitting Color	λ_p (nm)	V_f @ $I_f=20\text{mA}$	I_r @ $V_r=5\text{V}$
Green	565	1.7 ~ 2.6 V	10 μA max.
Yellow	585	1.7 ~ 2.6 V	10 μA max.

RoHS Compliant

MORETHANALL
PCB CONNECTORS
Cable ASSEMBLIES
煜倫股份有限公司

www.morethanall.com

DRAWING BY CY

CHECKED BY GENIUS

UNIT / mm SCALE 1 : 1

DATE

SIZE A4

TOLERANCES ARE

X. \pm
.X \pm 0.38
.XX \pm 0.25
.XXX \pm 0.13
ANG \pm

PPOJECTION

照片框

ORDER INFORMATION

MJF25P010ULB4-KF06A4YGGY-0808

SERIES

BLACK
LEFT LED /
YELLOW / GREEN
FRONT TAB 4.57mm
RIGHT LED
GREEN / YELLOW
GOLD 6 μ "
FULL SPRING

DESCRIPTION:

3.2 Transmitter filter & Receiver filter

Type : Balance low pass 100Ω impedance

Insertion loss :	1~100 MHz	-1.0dB max.	
Return loss :	1~30 MHz	-18dB min.	load 100Ω
	30~60MHz	-16dB min.	load 100Ω
	60~80MHz	-12dB min.	load 100Ω
	80~100MHz	-10dB min.	load 100Ω

3.3 Common Mode Rejection

@ 1~100 MHz -30dB min.

3.4 Cross Talk

@ 1~100 MHz -30dB min.

3.5 Inductance @ 100KHz, 0.1V, 8mA DC BIAS

Input (R2-R1), Input(R4-R3), Input (R6-R5), Input(R8-R7): 350 μH min.

3.6 HiPot Test

Input(R2-R1)	To	Output(C1-C2) :	1500Vac 60s or 2250Vdc 60s
Input(R4-R3)	To	Output(C3-C6) :	1500Vac 60s or 2250Vdc 60s
Input(R6-R5)	To	Output(C4-C5) :	1500Vac 60s or 2250Vdc 60s
Input(R8-R7)	To	Output(C7-C8) :	1500Vac 60s or 2250Vdc 60s

3.7 Inductance (@100KHz,0.1V,20mA DC BIAS)

Input (R2-R1), Input(R4-R3): 350 μH min.

3.8 Balanced DC line current

720mA MAX @57VDC continuous

1.2A MAX @57VDC for 200 milliseconds

RoHS Compliant

TOLERANCES ARE

MORETHANALL
PCB CONNECTORS
Cable ASSEMBLIES

DRAWING BY CY

X, ±

CHECKED BY GENIUS

.X ± 0.38

UNIT / mm

SCALE 1 : 1

.XX ± 0.25

.XXX ± 0.13

DATE

ANG ±

照片框

ORDER INFORMATION

MJF25P010ULB4-KF06A4YGGY-0808

SERIES

8P8C

BLACK

LEFT LED /
YELLOW / GREEN

RIGHT LED
GREEN / YELLOW

FRONT TAB 4.57mm
GOLD 6u"
FULL SPRING

煜倫股份有限公司

www.morethanall.com

SIZE A4

PPOJECTION 

DESCRIPTION: