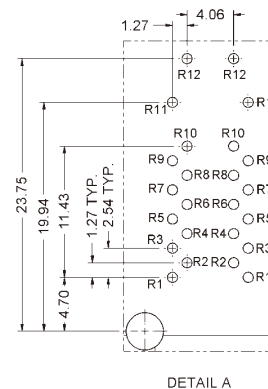
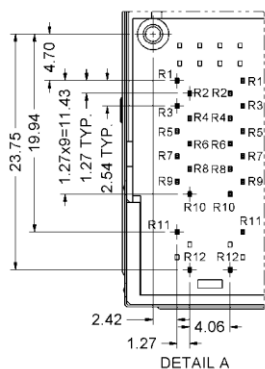
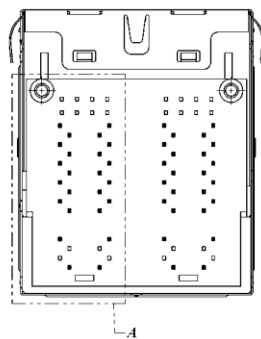
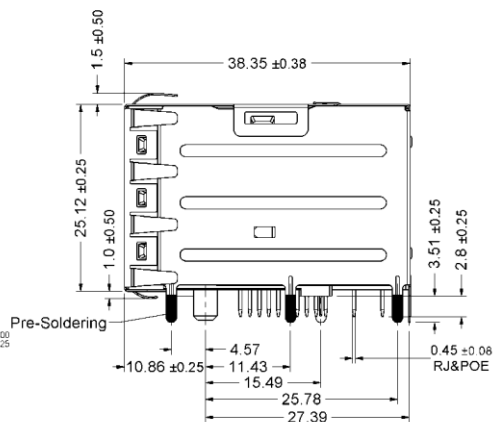
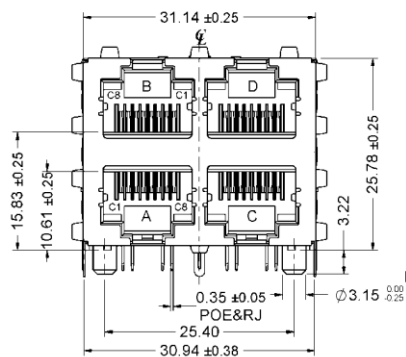
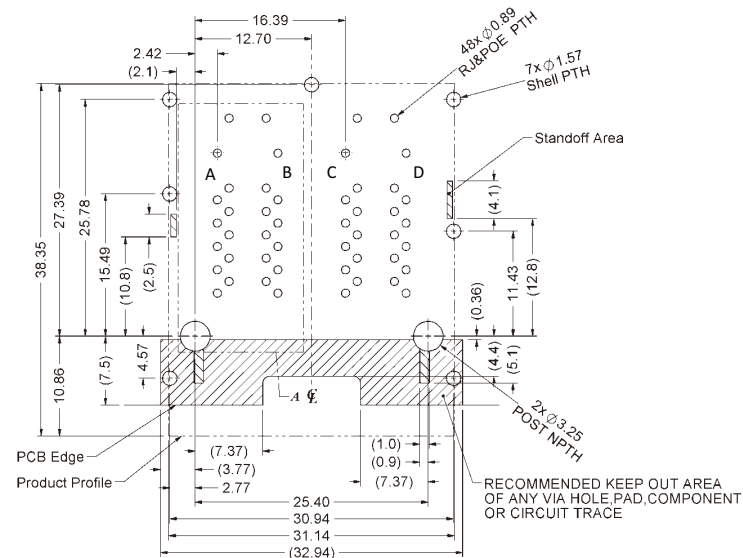


Recommended PCB Layout

Component Side of Board

All dimension tolerances are $\pm 0.05\text{mm}$ unless otherwise specified



RoHS Compliant

TOLERANCES ARE

MORETHANALL
PCB CONNECTORS
Cable ASSEMBLIES

DRAWING BY CY

X, \pm

CHECKED BY GENIUS

.X, ± 0.38

UNIT / mm

SCALE 1 : 1

.XX, ± 0.20

DATE

.XXX, \pm

ANG, \pm

照片框

ORDER INFORMATION

MJF25P010ULB2-KF06A4YG-0808

SERIES

8P8C

BLACK
LEFT LED / RIGHT LED
YELLOW GREEN
FRONT TAB 4.57mm
GOLD 6u"
FULL SPRING

煜倫股份有限公司

www.morethanall.com

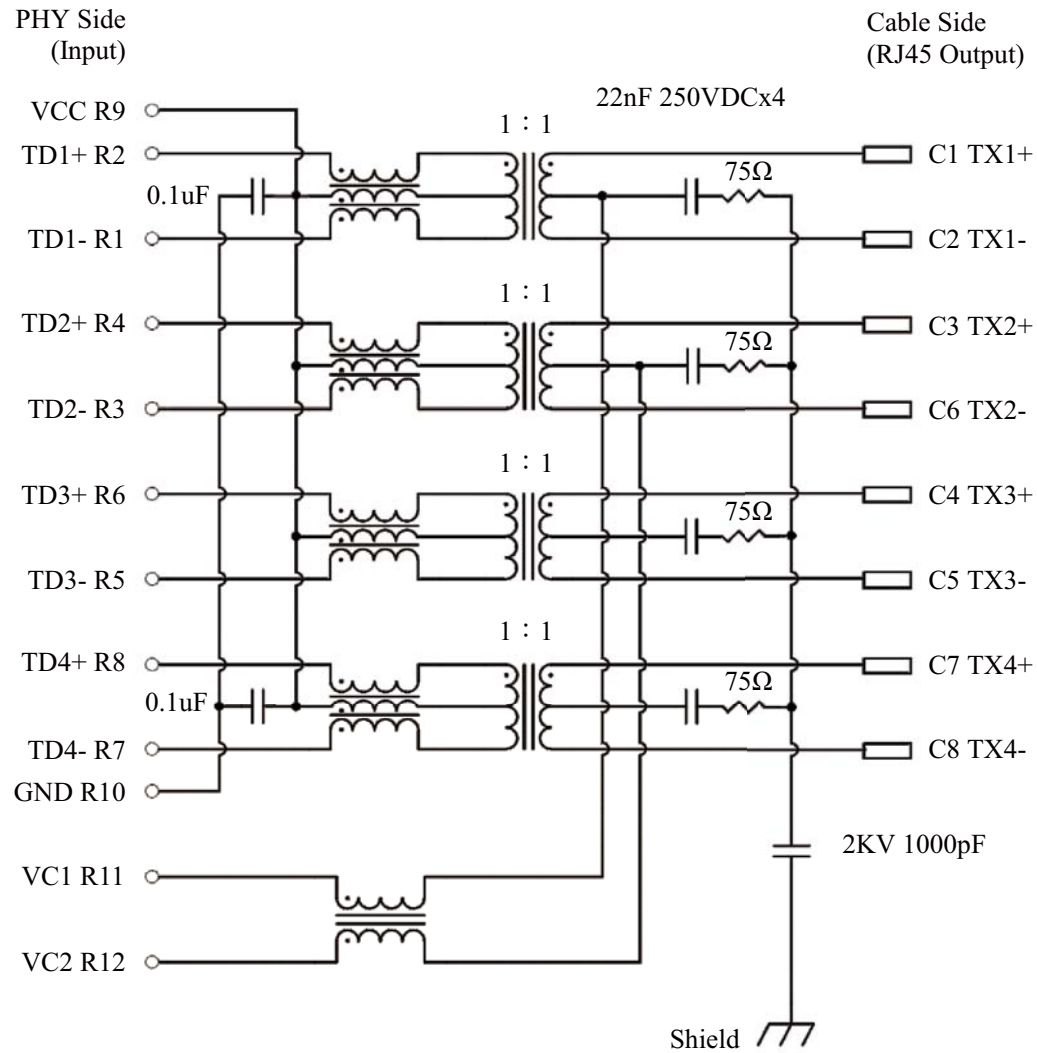
SIZE A4

PJECTION

DESCRIPTION:

ELECTRICAL CHARACTERISTICS

Schematic



RoHS Compliant

TOLERANCES ARE

MORETHANALL
PCB CONNECTORS
Cable ASSEMBLIES

DRAWING BY CY

X. ±

CHECKED BY GENIUS

.X ± 0.38

UNIT / mm

SCALE 1 : 1

.XX ± 0.20

DATE

.XXX ±

ANG ±

照片框

ORDER INFORMATION

MJF25P010ULB2-KF06A4YG-0808

SERIES

8P8C

LEFT LED / RIGHT LED

YELLOW GREEN

BLACK

FRONT TAB 4.57mm

GOLD 6u"
FULL SPRING

煜倫股份有限公司

www.morethanall.com

SIZE A4

PJECTION

DESCRIPTION:

2Transmitter filter & Receiver filter

Type : Balance low pass 100Ω impedance

Insertion loss : 1~100 MHz -1.0dB max.

Return loss :	1~30 MHz	-18dB min.	load 100Ω
	30~60MHz	-16dB min.	load 100Ω
	60~80MHz	-12dB min.	load 100Ω
	80~100MHz	-10dB min.	load 100Ω

3Common Mode Rejection

@ 1~100 MHz -30dB min.

4Cross Talk

@ 1~100 MHz -30dB min.

5Inductance @ 100KHz, 0.1V, 8mA DC BIAS

Input (R2-R1), Input(R4-R3), Input (R6-R5), Input(R8-R7): 350 μH min.

6HiPot Test

Input(R2-R1)	To Output(C1-C2) : 1500Vac 60s or 2250Vdc 60s
Input(R4-R3)	To Output(C3-C6) : 1500Vac 60s or 2250Vdc 60s
Input(R6-R5)	To Output(C4-C5) : 1500Vac 60s or 2250Vdc 60s
Input(R8-R7)	To Output(C7-C8) : 1500Vac 60s or 2250Vdc 60s

7Inductance (@100KHz,0.1V,11mA DC BIAS)

Input (R2-R1), Input(R4-R3): 350 μH min.

8Balanced DC line current

720mA MAX @57VDC continuous

1.2A MAX @57VDC for 200 milliseconds

RoHS Compliant

TOLERANCES ARE



煜倫股份有限公司

www.morethanall.com

DRAWING BY CY

CHECKED BY GENIUS

UNIT / mm SCALE 1 : 1

DATE

SIZE A4

X, ±
.X ± 0.38
.XX ± 0.20
.XXX ±
ANG ±



照片框

ORDER INFORMATION

MJF25P010ULB2-KF06A4YG-0808

SERIES

8P8C

LEFT LED / RIGHT LED

YELLOW GREEN

FRONT TAB 4.57mm

BLACK

GOLD 6u"
FULL SPRING

DESCRIPTION: