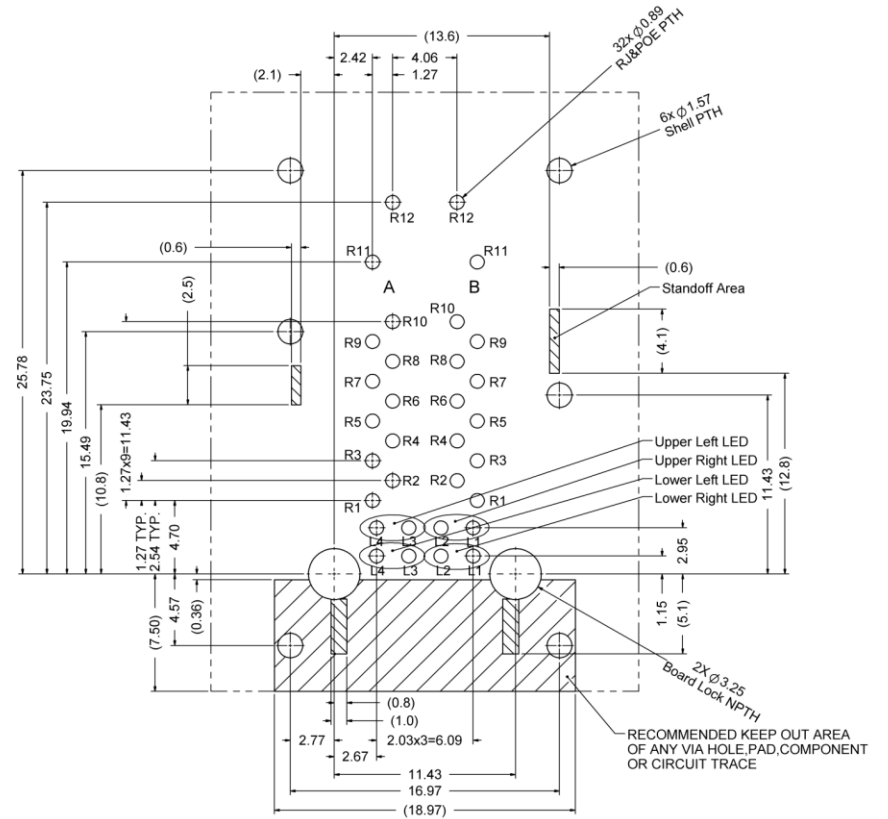
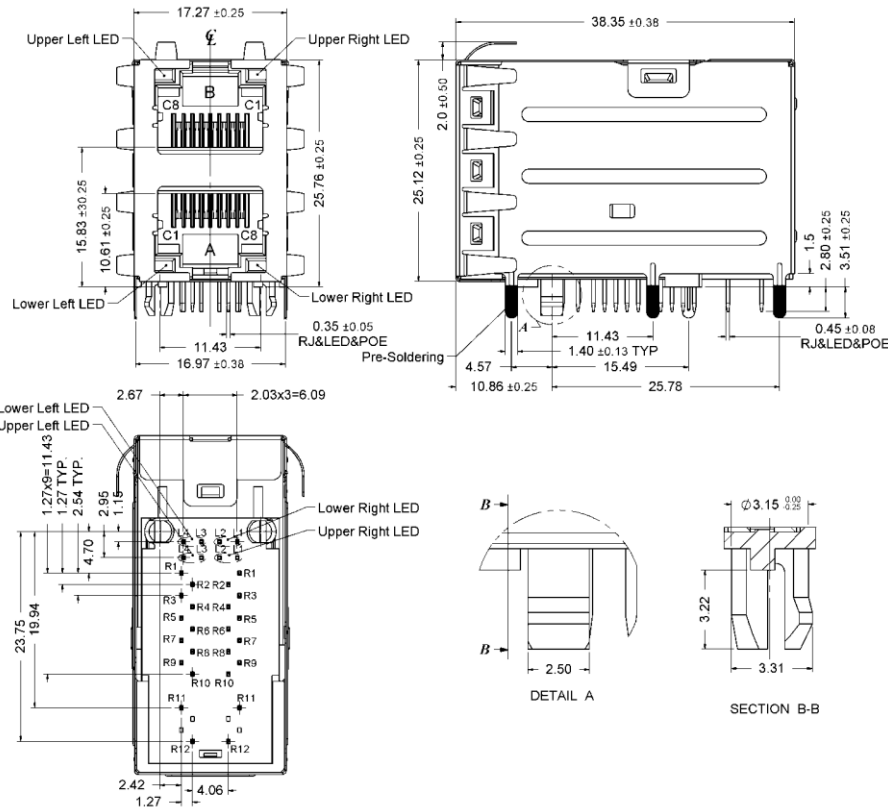


Recommended PCB Layout

Component Side of Board

All dimension tolerances are ±0.05mm unless otherwise specified



RoHS Compliant

TOLERANCES ARE

MORETHANALL
PCB CONNECTORS
Cable ASSEMBLIES

DRAWING BY CY

X, ±

CHECKED BY GENIUS

.X ± 0.30

UNIT / mm

SCALE 1 : 1

.XX ± 0.20

DATE

.XXX ±

ANG ±

SIZE A4

PJECTION

照片框

ORDER INFORMATION

MJF25P010ULB1-KF06A4YG-0808

SERIES

8P8C

BLACK

LEFT LED / RIGHT LED
YELLOW GREEN

FRONT TAB 4.57mm

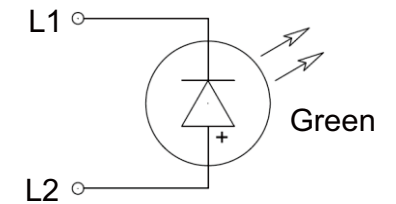
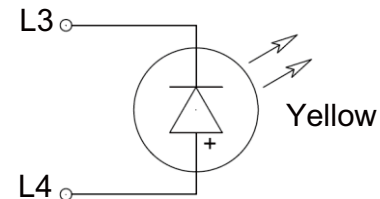
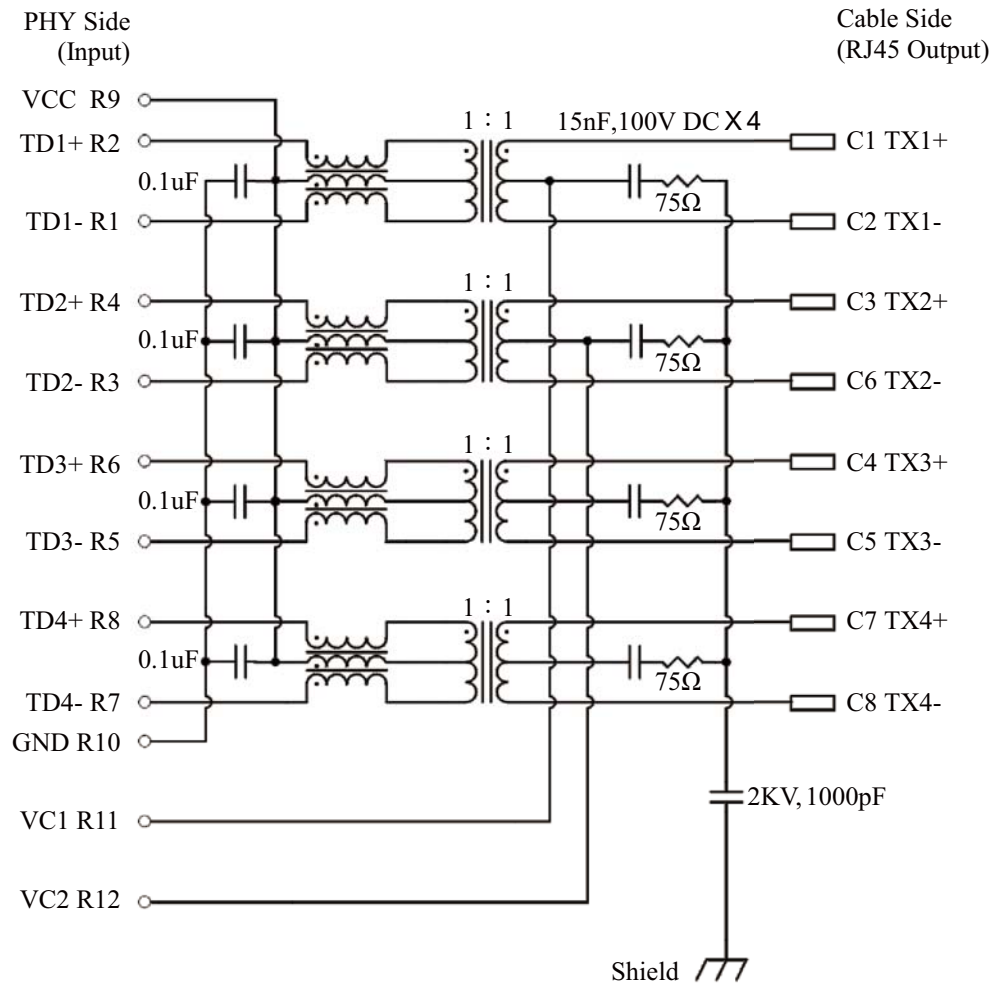
GOLD 6u"
FULL SPRING

煜倫股份有限公司

www.morethanall.com

DESCRIPTION:

Schematic



Emitting Color	λ_p (nm)	$V_f @ I_f=20mA$	$I_r @ V_r=5V$
Green	565	1.7 ~2.6 V	10 μ A max.
Yellow	585	1.7 ~2.6 V	10 μ A max.

RoHS Compliant

TOLERANCES ARE

MORETHANALL
PCB CONNECTORS
Cable ASSEMBLIES

DRAWING BY CY

X, \pm

CHECKED BY GENIUS

.X \pm 0.30

UNIT / mm

SCALE 1 : 1

.XX \pm 0.20

DATE

.XXX \pm

ANG \pm

照片框

ORDER INFORMATION

MJF25P010ULB1-KF06A4YG-0808

SERIES

8P8C
LEFT LED / RIGHT LED
YELLOW GREEN
FRONT TAB 4.57mm
GOLD 6 μ "
FULL SPRING

煜倫股份有限公司

www.morethanall.com

SIZE A4

P PROJECTION

DESCRIPTION:

2 Transmitter filter & Receiver filter

Type : Balance low pass 100Ω impedance

Insertion loss :	1~100 MHz	-1.0dB max.	
Return loss :	1~30 MHz	-18dB min.	load 100Ω
	30~60MHz	-16dB min.	load 100Ω
	60~80MHz	-12dB min.	load 100Ω
	80~100MHz	-10dB min.	load 100Ω

3 Common Mode Rejection

@ 1~100 MHz -30dB min.

4 Cross Talk

@ 1~100 MHz -30dB min.

5 Inductance @ 100KHz, 0.1V, 8mA DC BIAS

Input (R2-R1), Input(R4-R3), Input (R6-R5), Input(R8-R7): 350 μH min.

6 Inductance (@100KHz,0.1V,11mA DC BIAS)

Input (R2-R1), Input(R4-R3): 350 μH min.

7 HiPot Test

Input(R2-R1) To Output(C1-C2) : 1500Vac 60s or 2250Vdc 60s

Input(R4-R3) To Output(C3-C6) : 1500Vac 60s or 2250Vdc 60s

Input(R6-R5) To Output(C4-C5) : 1500Vac 60s or 2250Vdc 60s

Input(R8-R7) To Output(C7-C8) : 1500Vac 60s or 2250Vdc 60s

8 Balanced DC line current

720mA MAX @57VDC continuous

1.2A MAX @57VDC for 200 milliseconds

RoHS Compliant

TOLERANCES ARE



煜倫股份有限公司

www.morethanall.com

DRAWING BY CY

CHECKED BY GENIUS

UNIT / mm SCALE 1 : 1

DATE

SIZE A4

X, ±
.X ± 0.30
.XX ± 0.20
.XXX ±
ANG ±

P PROJECTION

照片框

ORDER INFORMATION

MJF25P010ULB1-KF06A4YG-0808

SERIES

8P8C

LEFT LED / RIGHT LED

YELLOW GREEN

FRONT TAB 4.57mm

GOLD 6u" FULL SPRING

DESCRIPTION: