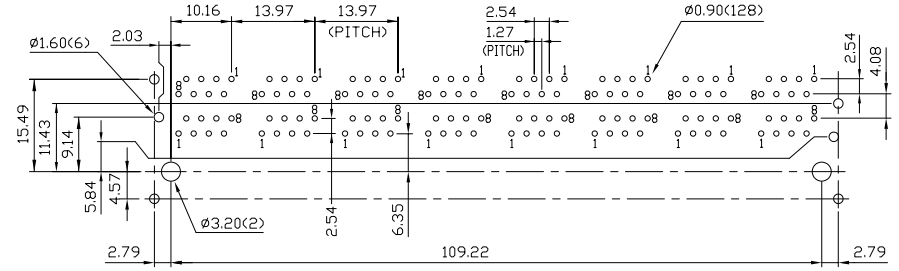
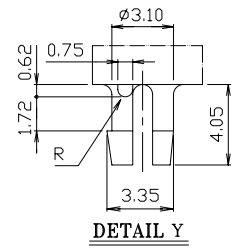
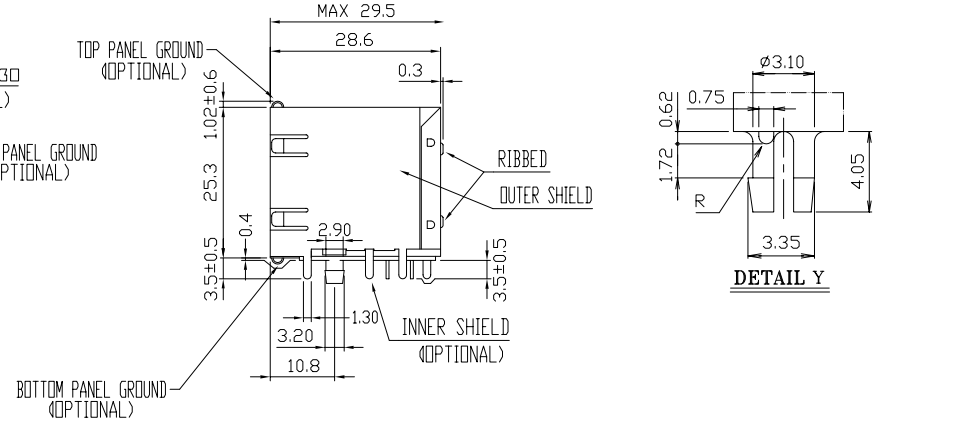


MATERIAL:

- HOUSING-PBT POLYESTER UL-94V-0 MIXED GLASS FIBER. STANDARD COLOR-BLACK
- CONTACTS-0.35mm THICK PHOS-BRONZE PLATED WITH HARD GOLD AND GOLD FLASH IN SOLDER AREA.
- SHIELD-0.25mm THICK COPPER ALLOY, PLATED WITH NICKEL.

CAVITY CONFORMS TO FCC RULES AND REGULATIONS PART 68,SUBPART F.



RoHS Compliant

MORETHANALL
PCB CONNECTORS
Cable ASSEMBLIES

煜倫股份有限公司

www.morethanall.com

DRAWING BY CY		TOLERANCES ARE
CHECKED BY GENIUS		
UNIT / mm	SCALE 1 : 1	X. ±
DATE		.X ±
SIZE A4	PJECTION	.XX ±
		.XXX ±
		ANG ±



ORDER INFORMATION

MJF25B8-KF06A4-0808-LF

SERIES | LEADFREE

8P8C

FRONT TAB 4.57mm

06u" GOLD

FULL SPRING

BLACK

DESCRIPTION: 2X8 8POSITIONS RIGHT ANGLE SHIELDED PCB JACK