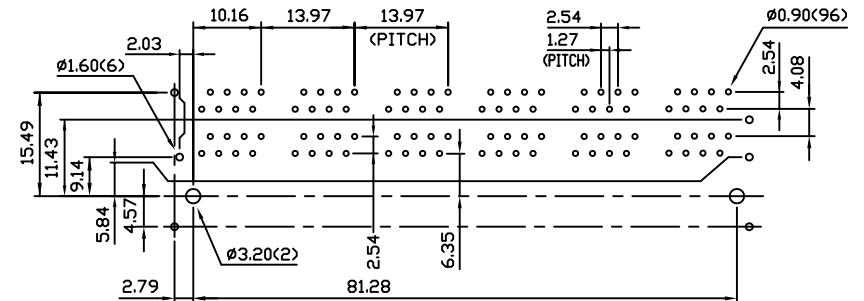
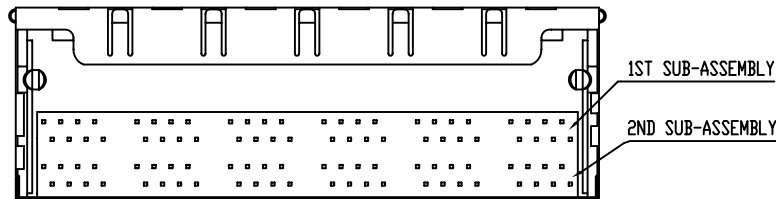
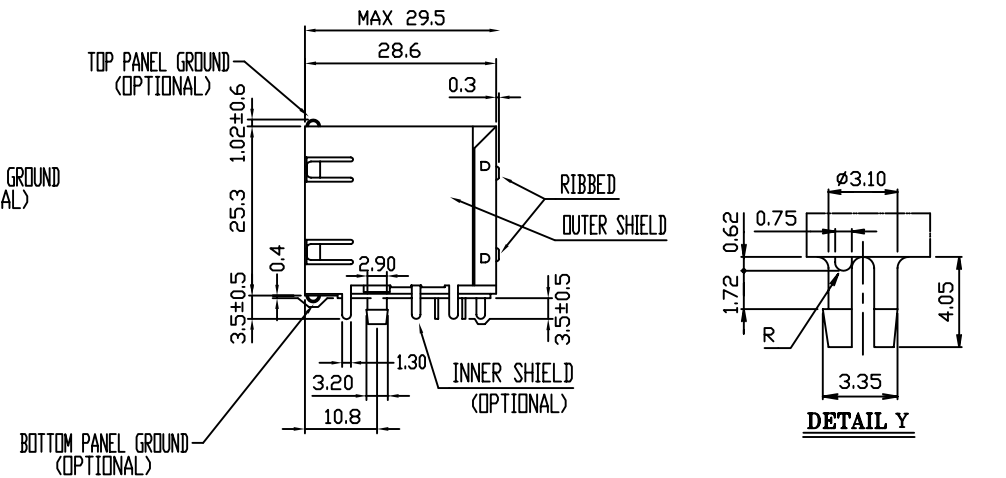
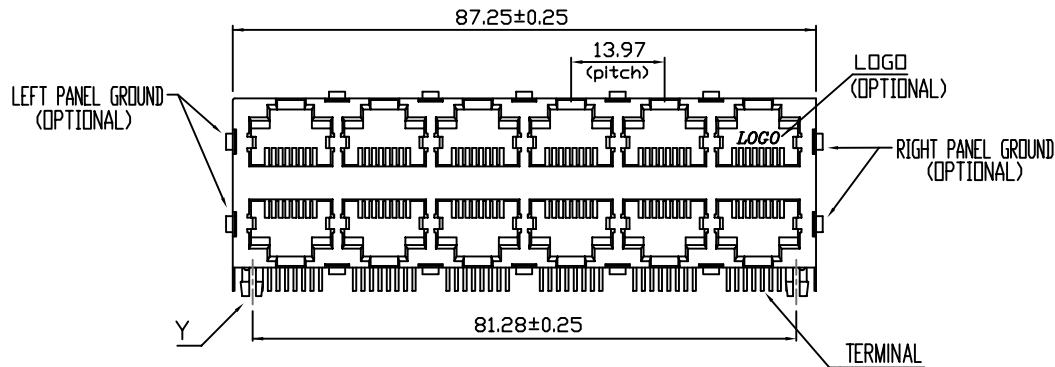


MATERIAL: HOUSING-PBT POLYESTER UL-94V-0
 MIXED GLASS FIBER.
 STANDARD COLOR-BLACK
 CONTACTS-0.35mm THICK PHOS-BRONZE
 PLATED WITH HARD GOLD AND
 TIN/LEAD IN SOLDER AREA.
 SHIELD-0.25mm THICK COPPER ALLOY,
 PLATED WITH GOLD.
 CAVITY CONFIRMS TO FCC RULES AND REGULATIONS
 PART 68,SUBPART F.



PCB LAYOUT

RoHS Compliant

TOLERANCES ARE

MORETHANALL
 PCB CONNECTORS
 Cable ASSEMBLIES

DRAWING BY CY

CHECKED BY GENIUS

UNIT / mm

SCALE 1 : 1

DATE

SIZE A4

X, ±
 .X ± 0.25
 .XX ± 0.13
 .XXX ± 0.05
 ANG ±

PJECTION

照片框

ORDER INFORMATION

MJF25B6-KF50A4-0808-LF

SERIES

LEADFREE

8P8C
 FRONT TAB 4.57mm
 50u" GOLD
 FULL SPRING
 BLACK

煜倫股份有限公司

www.morethanall.com

DESCRIPTION: RIGHT ANGLE SHIELDED PC