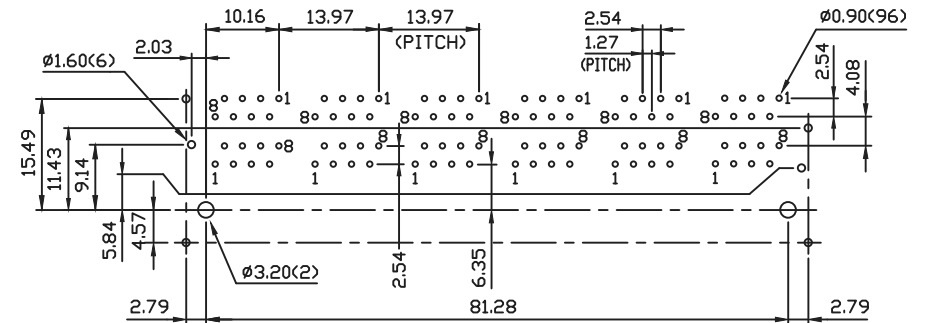
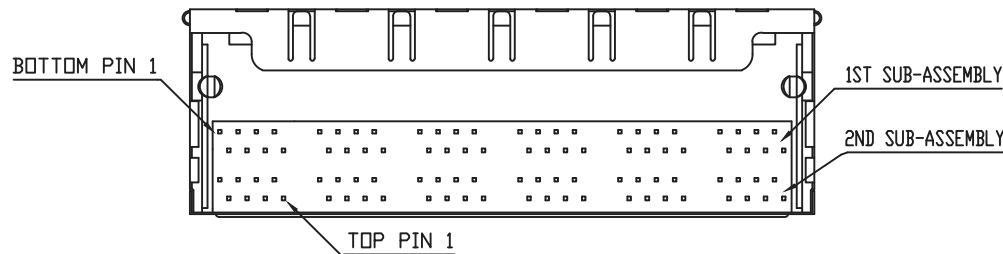
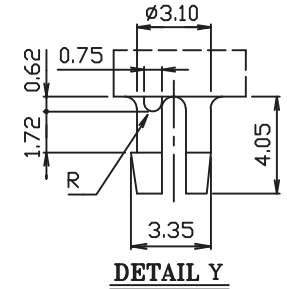
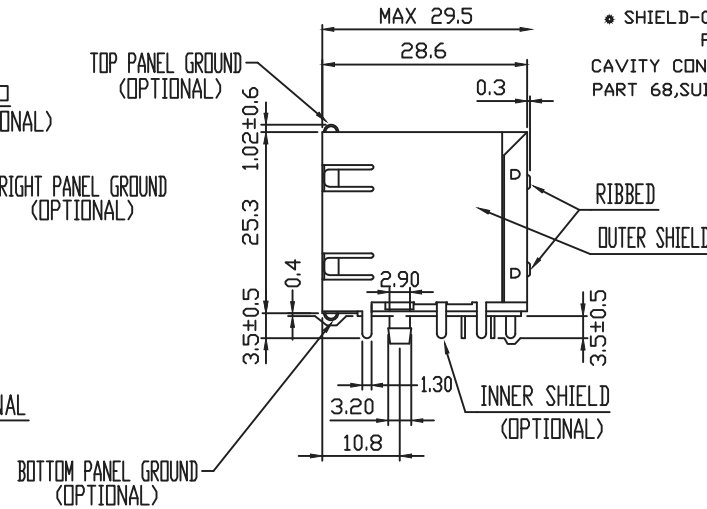
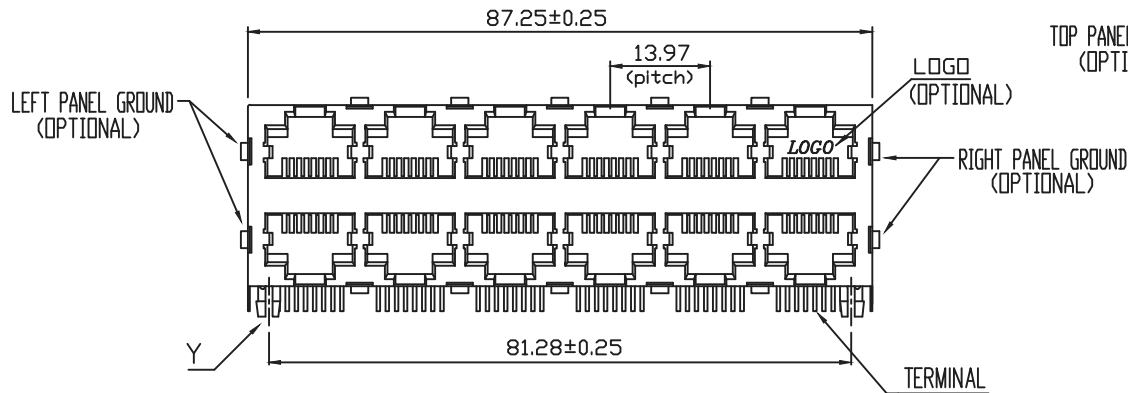


MATERIAL:

- HOUSING-DSM STANYL TE250F6 (NYLON-46)
HEAT DEFLECTION 260 DEGREES FOR 5~10 SEC*
BLACK COLOR, UL94V-0
 - CONTACTS-0.35mm THICK PHOS-BRONZE
PLATED WITH HARD GOLD AND
GOLD FLASH IN SOLDER AREA.
 - SHIELD-0.25mm THICK COPPER ALLOY,
PLATED WITH NICKEL.
- CAVITY CONFIRMS TO FCC RULES AND REGULATIONS
PART 68,SUBPART F.



RoHS Compliant

TOLERANCES ARE

MORETHANALL
PCB CONNECTORS
Cable ASSEMBLIES

DRAWING BY CY

CHECKED BY GENIUS

UNIT / mm

SCALE 1 : 1

DATE

SIZE A4

PJECTION

X, ±
.X ± 0.25
.XX ± 0.13
.XXX ± 0.05
ANG ±

照片框

ORDER INFORMATION

MJF25B6-KF06A4N46-0808-LF

SERIES

BLACK

06u" GOLD

FULL SPRING

LEADFREE

8P8C

NYLON 46

FRONT TAB 4.57mm

DESCRIPTION: 2X6 8POSITIONS RIGHT ANGLE SHIELDED PCB JACK

煜倫股份有限公司

www.morethanall.com