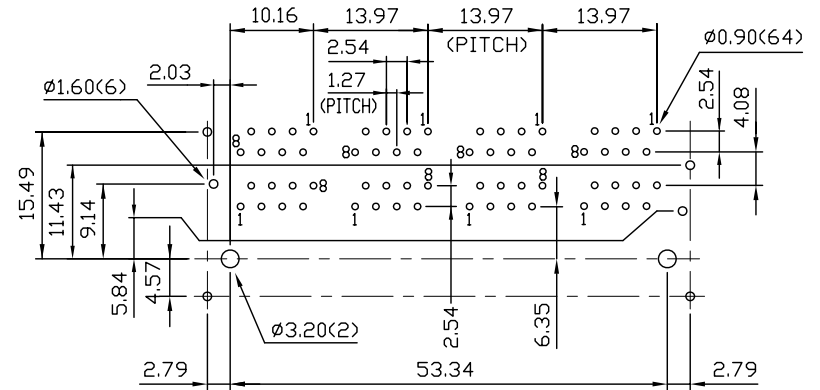
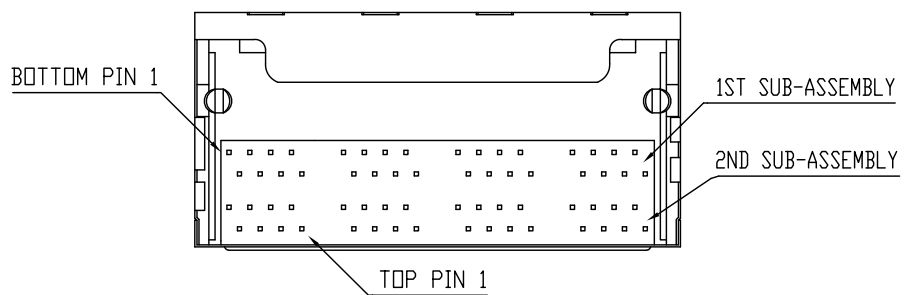
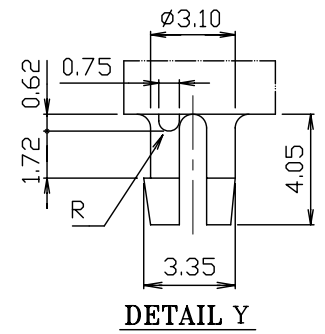


MATERIAL:

- HOUSING-PBT POLYESTER UL-94V-0 MIXED GLASS FIBER. STANDARD OD&OR-BLACK
- CONTACTS-0.35mm THICK PHOS-BRONZE PLATED WITH HARD GOLD AND GOLD FLASH IN SOLDER AREA.
- SHIELD-0.25mm THICK COPPER ALLOY, PLATED WITH NICKEL.

CAVITY CONFIRMS TO FCC RULES AND REGULATIONS PART 68,SUBPART F.



PCB LAYOUT
Ref.

MORETHANALL
PCB CONNECTORS
Cable ASSEMBLIES

煜倫股份有限公司

www.morethanall.com

RoHS Compliant

DRAWING BY CY

CHECKED BY GENIUS

UNIT / mm SCALE 1 : 1

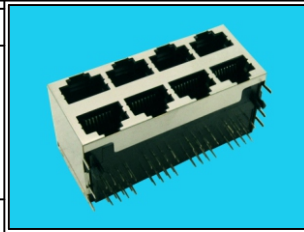
DATE

SIZE A4

TOLERANCES ARE

X, ±
.X ±
.XX ±
.XXX ±
ANG ±

PPOJECTION



ORDER INFORMATION

MJF25B4-KX06A4-0808-LF

SERIES LEADFREE
FRONT TAB 4.57mm
BLACK 06u" GOLD
NON EAR

DESCRIPTION: 2X4 8POSITIONS RIGHT ANGLE SHIELDED PCB JACK