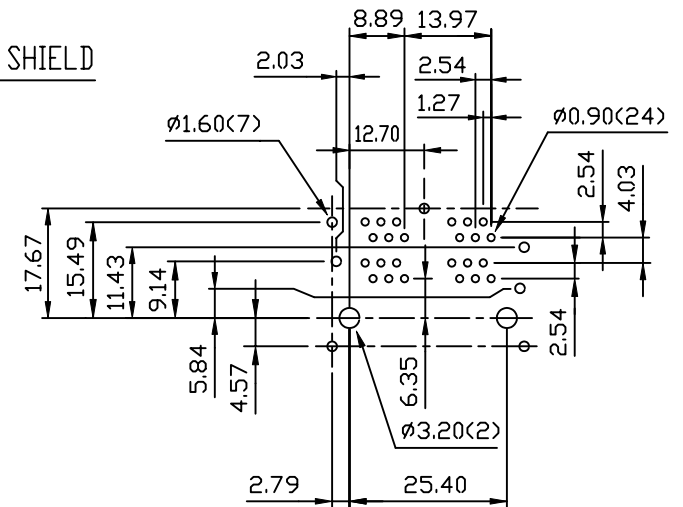
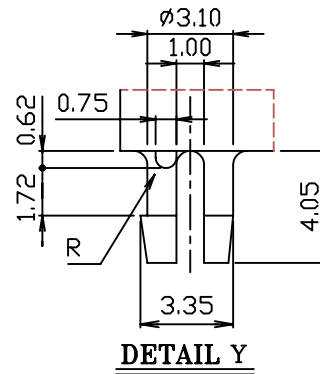
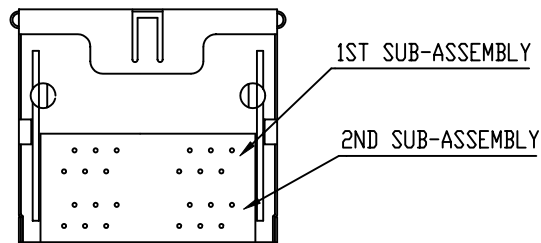


MATERIAL: HOUSING-PBT POLYESTER UL-94V-0
 MIXED GLASS FIBER.
 STANDARD COLOR-BLACK
 CONTACTS-0.35mm THICK PHOS-BRONZE
 PLATED WITH HARD GOLD AND
 GOLD FLASH IN SOLDER AREA.
 SHIELD-0.25mm THICK COPPER ALLOY,
 PLATED WITH NICKEL.
 CAVITY CONFIRMS TO FCC RULES AND REGULATIONS
 PART 68,SUBPART F.



PCB LAYOUT

RoHS Compliant

TOLERANCES ARE

MORETHANALL
 PCB CONNECTORS
 Cable ASSEMBLIES

煜倫股份有限公司

www.morethanall.com

DRAWING BY CY

CHECKED BY GENIUS

UNIT / mm SCALE 1 : 1

DATE

SIZE A4

X, \pm
 .X \pm
 .XX \pm
 .XXX \pm
 ANG \pm

PJECTION

照片框

ORDER INFORMATION

MJF25B2-KF06A4-0606-LF

SERIES

LEADFREE

6P6C

FRONT TAB 4.57mm

06u" GOLD

FULL SPRING

BLACK

DESCRIPTION: 2X2 6POSITIONS RIGHT ANGLE SHIELDED PCB JACK